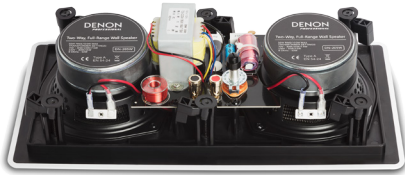


DENON
PROFESSIONAL

rhox
networking

(61) 3051-5800

<https://loja.rhox.com.br>



DN-205W

TWO-WAY IN-WALL SPEAKER

The Denon Professional DN-205W two-way wall speaker is designed for commercial installations and is compatible with 70W/100W/8-ohm systems. The assembly is composed of two 5- $\frac{1}{4}$ inch carbon fiber woofers for superior bass and mid-range reproduction, and a 1-inch silk dome aluminum tweeter for smooth high-end.

Along with full-range response, the unit also features a two position high-frequency roll-off for additional acoustic control. The paintable, magnetic grille enables the DN-205W to completely blend into its surroundings for a professional, clean installation.

FEATURES

- Two 5- $\frac{1}{4}$ inch carbon fiber woofers
- 1-inch silk and aluminum dome swivel tweeter
- Full-range frequency response
- 50W power handling (100W peak)
- Paintable, magnetic speaker grille
- New Construction Installation Bracket Included
- EN 54-24 compliant

SPECIFICATIONS

SYSTEM PERFORMANCE

Frequency Range (-10dB):	60 Hz—20 kHz
Power Capacity:	100 W Peak
Nominal Sensitivity:	88dB SPL, 1W @ 1m (3.3 ft)
Nominal Dispersion:	110° Conical coverage pattern
Directivity Factor (Q):	5.5 Averaged from 100 Hz to 4 kHz
Directivity Index (DI):	6.3 Averaged from 100 Hz to 4 kHz
Rated Maximum SPL:	106dB
Nominal Impedance:	8 Ω
Transformer Taps:	Direct: 8 Ω 70V: 30W, 15W, 7.5W 100V: 30W, 15W

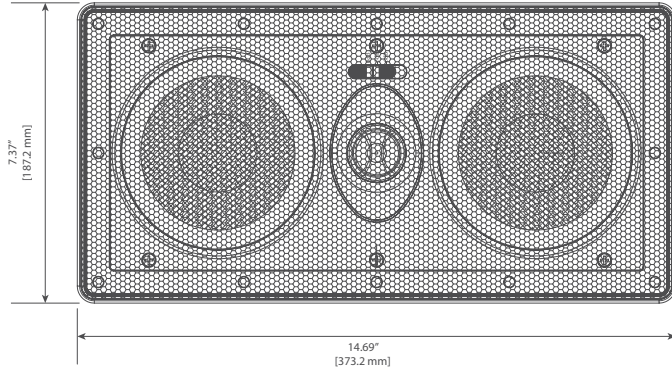
TRANSDUCERS

Low Frequency:	Dual 5 ¼" Poly Propylene-coated, ¾" Aluminum VC Driver
High Frequency:	25mm (1") Dome Tweeter with 0, -3db and -6db level control

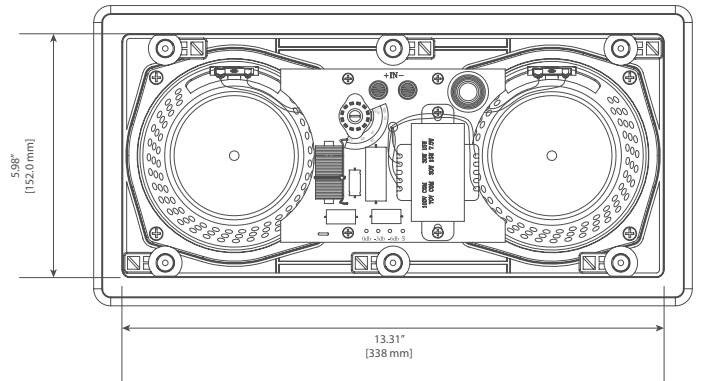
PHYSICAL

Enclosure:	None
Termination:	Push to connect gold plated speaker terminals
Safety Agency Ratings:	EN54-24, UL 2043 pending
Outside Dimensions:	14.7" (373.2 mm) W x 7.37" (187.2 mm) H x 3.66" (93 mm) D
Cutout Size:	13.4" (340.4 mm) W x 6" (152.5 mm) H
Net Weight:	7.7 lbs (3.5 kg)
Shipping Weight:	9.7 lbs (4.4 kg)
Included Accessories:	Magnetic Grille, Installation Bracket with detachable extensions for flexible install options

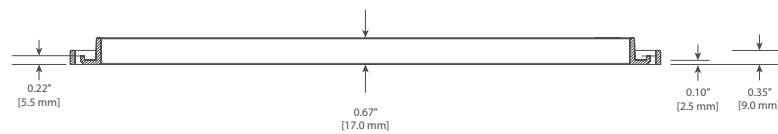
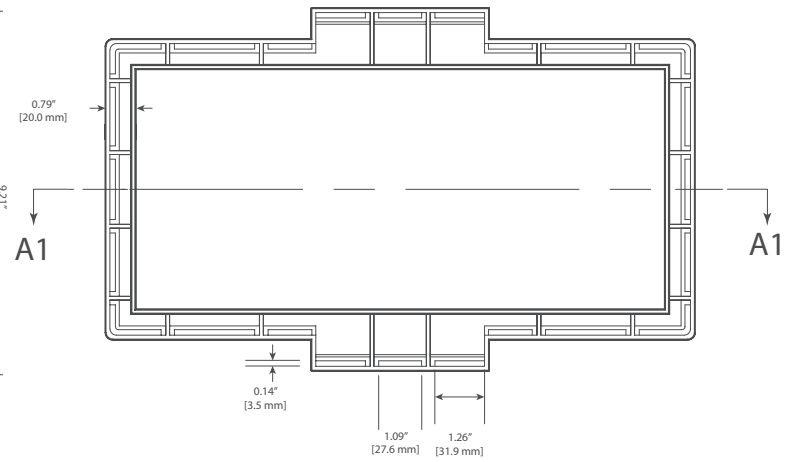
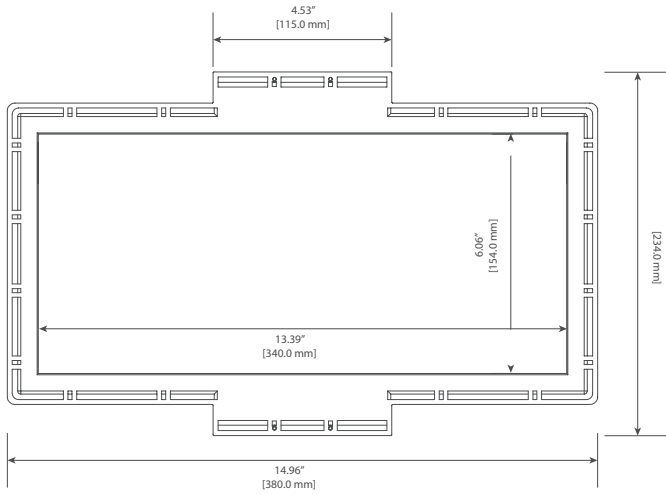
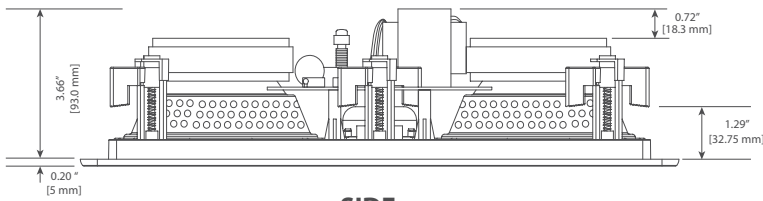
FRONT
(with grille)



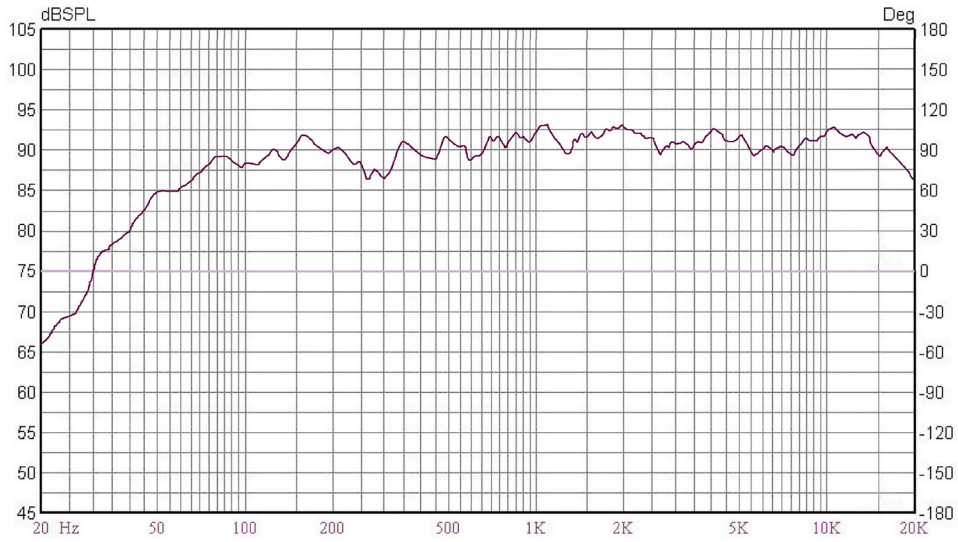
REAR



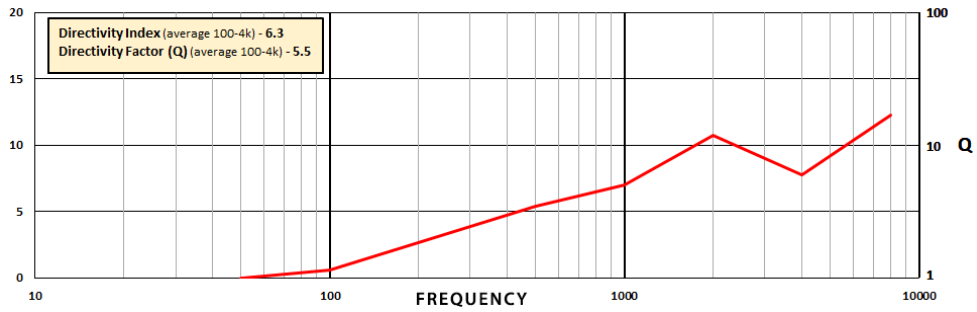
SIDE



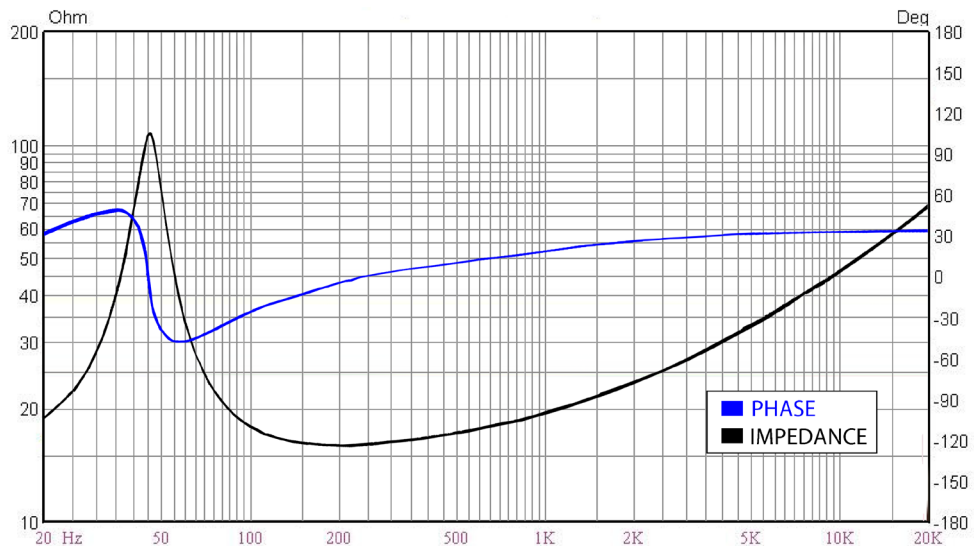
ON-AXIS FREQUENCY RESPONSE



DIRECTIVITY



IMPEDANCE AND PHASE



POLAR PLOTS

