

### General Description

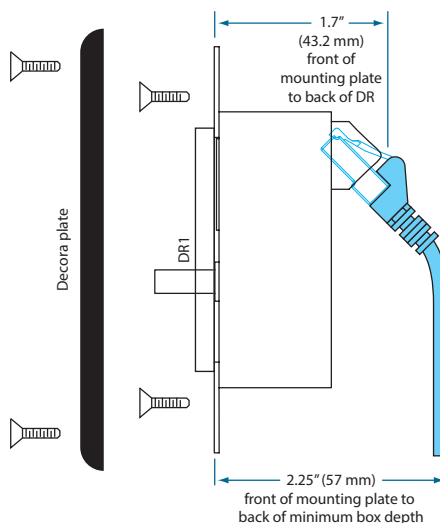
Rane Digital Remotes simplify end user control and eliminate installer brain fatigue. All offer customizable backlit LCD screens for intuitive end user labeling. All are available in three colors to coordinate with surroundings: white, ivory or black, and include a matching Decora® plate cover.

Home run shielded CAT 5e (or better) connections to a HAL, EXP or CP66 eliminate addressing, external power, and the need to test the cables. The DR can be up to 300 meters (1000 feet) away from its host. It mounts in a standard two-gang U.S. electrical box.

Display screens are dynamic, automatically updating when the available options change through preset activation, room combining, and so on. Therefore, the user always sees the options that are currently available. A DR1 provides a single level control, used most commonly to control volume.

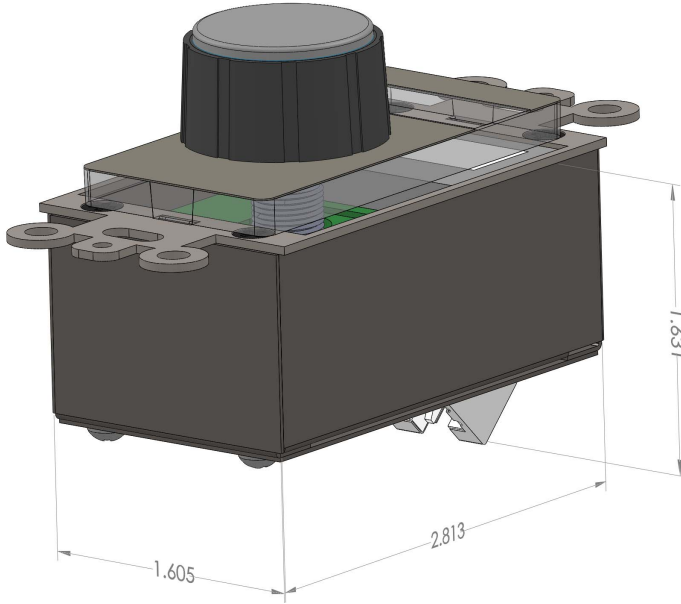
### Unit Specifications

Parameter	Specification
CAT 5e Cable Length Max.	300 meters / 1000 feet
Power Requirement:	+24VDC / 50mA
Baud Rate:	115200
Unit: Conformity	CE, FCC
Unit: Size	
...cm 10.4H x 4W x 5.5D	6.6D including knob
...in 4.1"H x 1.6"W x 2.2"D	2.6"D including knob
Unit: Weight	113 g / 4.0 oz
Unit: Shipping	261 g / 9.2 oz



**Dimensions**

**DR1 Architects & Engineers Specification**



The digital remote shall control one or more simultaneous levels and be located up to 300 meters (1,000 feet) away from the rack room multiprocessor. The digital remote shall have a customizable backlit LCD screen for end user labeling with variable and automatic backlight dimming feature for superior visibility under varying light conditions. The digital remote shall connect to and be powered by the rack room multiprocessor using a dedicated homerun over shielded CAT 5e (or better) cable. Low communication data rates shall permit use of punch-down blocks or RJ-45 patch bays for homerun cable routing flexibility as well as relaxed minimum bend radius. The shielded CAT 5e interface shall transport power, ground and a communications channel. The digital remote shall support portable use and hot-swapping so that devices may be replaced without reprogramming or shutting down the system, and do so without audio interference. Within seconds, all settings for new or existing portable digital remotes shall automatically download from the multiprocessor along with the correct firmware permitting continuous hot-swapping – even between different vintage multiprocessors. The hardware-software combination shall automatically check and display the status, location, and CAT 5e crimp and wiring integrity. Hardware and software troubleshooting indications shall point out any and all errors. The digital remote shall fit into a 1-gang US standard electrical junction box. The digital remote shall be available in white, ivory or black, and come with a matching Decora® wallplate.

*The Digital Remote shall be a Rane DR1 connected to a Rane HAL multiprocessor or EXP expander running Rane Halogen software.*

