



SHADOW 105T

ALL WEATHER SPEAKER

DESCRIPTION

- Multipurpose 5" full-range 120W-8Ohm / 112dB SPL
- 2 way configuration with an high power 5" cone and 1" dome for high frequencies
- 100V line transformer with selectable 50W/25W power tapping
- Die-cast aluminium wall bracket with ball-socket for multi-angle adjustment capability, with a security cable
- 7 wires cable to select the desired power tapping
- Water-stop grille with 3 layers of protection
- IP55 weather resistant
- Standard grey finish RAL 7011



IP55
WEATHER
RESISTANT

SPECIFICATIONS

System type	2 way
Recommended amplifier	120W RMS
Long term power	60W
Short term power (IEC 268-5)	240W
Transformer	100V / 50W
Nominal impedance	8 Ohm
Frequency response	90Hz ÷ 20kHz (@ -6dB)
Sensitivity	89dB (@ 1W,1m)
Max. SPL (cont./peak)	109dB / 112dB
Dispersion	100°
Crossover frequency	3kHz
Recommended HP filter	70Hz - 24dB oct.
Low frequency woofer	5" / 1" coil
High frequency driver	1"
Input connectors	7 wires cable
Net dimensions (WxHxD)	6,61 x 8,74 x 7,87 inch
Shipping dimensions (WxHxD)	10,03 x 11,02 x 8,85 inch
Net weight	7,7 lbs
Shipping weight	9,5 lbs
Enclosure material	Polyethylene rotomoulded
Grille	Custom perforated aluminium

TECHNICAL SPECIFICATIONS LABEL

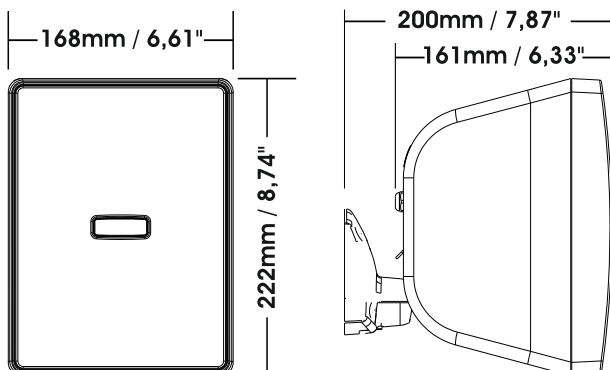
SHADOW FBT
105T ALL WEATHER LOUDSPEAKERS

Recommended Amplifier: 120W
System Long Term Power: 60W
Dispersion: 100°
Transformer: 100V / 50W

	ORANGE	RED	YELLOW	GREEN	BLUE	BROWN	BLACK
100 V	link	IN + 15W	IN + 25W	IN + 40W	IN + 50W	IN - com	
8 OHM	IN +	nc	nc	nc	nc	nc	IN -

MADE IN P.R.C.
ENGINEERED IN ITALY by
FBT ELETTRONICA S.p.A.

DIMENSIONS



SHADOW 105T

ALL WEATHER SPEAKER

DIAGRAMS

