



SHADOW 112HCT / EN

MULTIPURPOSE HIGH PERFORMANCE 12" COAX

IP55



EN 54-24:2008

CERTIFICATE OF CONSTANCY OF PERFORMANCE
n. 0068/CPR/011-2019

ATTESTATION OF CONFORMITY
n. CPR/181446_1-1-2019
EN 60529:1991-10



APPLICATIONS

- Convention centers
- Athletic fields
- Stadiums
- Theme parks
- Swimming pools
- Cruise ships
- Malls
- Ballrooms
- Outdoor background music

KEY FEATURES

- 2-way multipurpose 12" coax
- Sturdy molded polypropylene curved enclosure
- 12" coaxial woofer with 2.5" coil
- 1" HF driver with 1.7" coil
- Line transformer
- 4 wires cable to select the power tapping
- IP55 weather resistant
- Standard black finish
- Completely manufactured in Italy

PRODUCT DESCRIPTION

The FBT SHADOW 112HCT/EN is a weatherproof coaxial two way loudspeaker system offering substantial power and efficiency for a variety of professional indoor or outdoor applications. The low frequency transducer is a 12" woofer with a 2,5" voice coil. The high frequency section is a 1" driver with 1.7" voice coil. The FBT SHADOW 112HCT/EN features a standard 100V line transformer. The cabinet is a single piece rotational moulded in polypropylene, fully UV protected. The FBT SHADOW 112HCT/EN is internal equipped with ceramic terminal block and thermal fuses ensuring the continued operation of loudspeakers in the event of a fire; in addition all connections use flame-retardant cabling which adheres to the EN50200 standard (with IP68 airtight cable glands). The cabinet is equipped with a stainless steel U-bracket. The grille is in custom perforated stainless steel with 3 layers of protection. The FBT SHADOW 112HCT/EN meets the requirements of IP55 code (International Protection Rating).

TECHNICAL SPECIFICATIONS

Configuration	2 Ways
Rated noise power 100 hrs (voltage)	250 W (44,5V)
System short term power IEC268-5	800 W
Nominal impedance 100V line	50 Ohm 200W / 100 Ohm 100W
Frequency response (@-6dB)	98Hz - 19kHz
Sensitivity (@1W / 1m)	101dB
Max. SPL (1m / 4m)	123dB / 111dB
Crossover frequency	1,6kHz
Recommended HP Filter	80Hz - 24dB oct.
Dispersion Horizontal (-6dB)	500Hz: 100° 1kHz: 50° 2kHz: 60° 4kHz: 70°
Dispersion Vertical (-6dB)	500Hz: 100° 1kHz: 50° 2kHz: 80° 4kHz: 50°
Operating / Storage temperature	-25°C to +55°C / -40°C to +70°C
Relative umidity	<95%

PHYSICAL SPECIFICATIONS

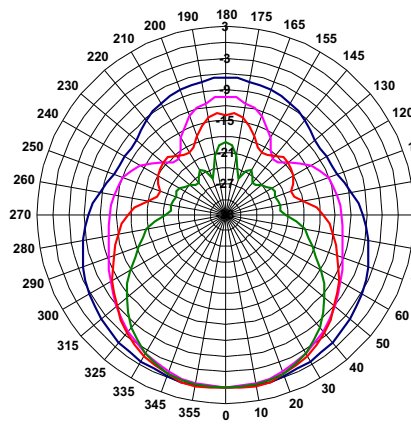
Low frequency woofer	1 x 12" / 2,5" coil
High frequency driver	1 x 1" / 1,7" coil
Input connectors	4 wire cable
Net dimensions (WxHxD)	16,92 x 16,92 x 15,74 inch
Shipping dimensions (WxHxD)	20,86 x 20,86 x 19,68 inch
Net weight	46,3 lbs
Shipping weight	50,7 lbs
Enclosure material	Polypropylene



SHADOW 112HCT / EN

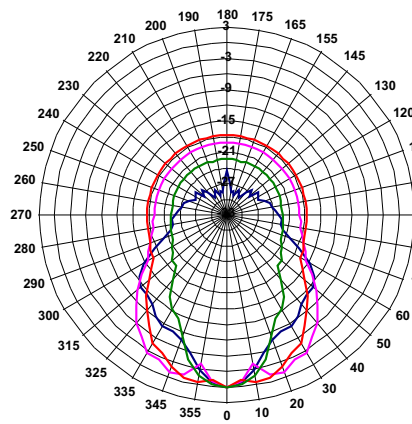
Horizontal polar diagram

— 250 — 500 — 1000 — 2000



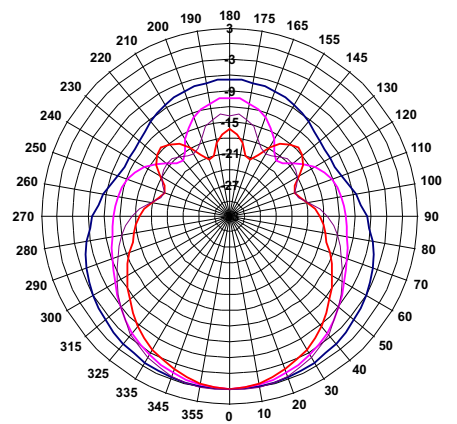
Horizontal polar diagram

— 4000 — 8000 — 12500 — 16000



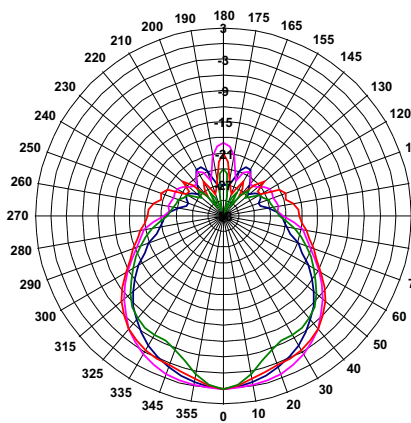
Vertical polar diagram

— 250 — 500 — 800 — 1000



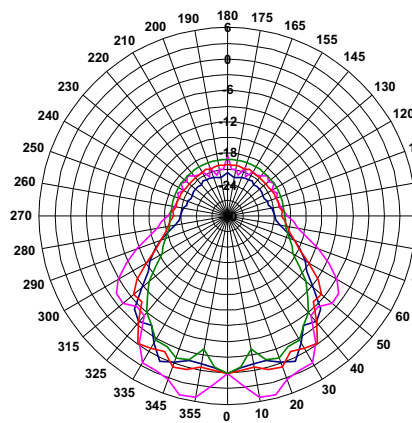
Vertical polar diagram

— 1400 — 2000 — 2500 — 3150



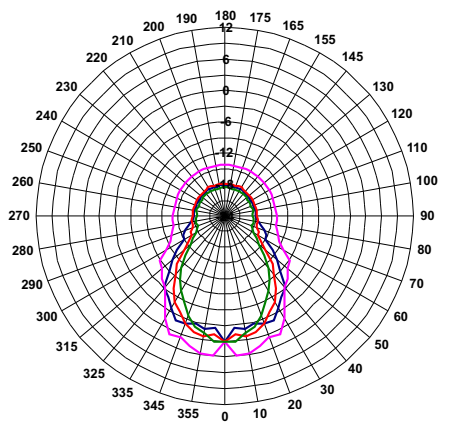
Vertical polar diagram

— 4000 — 5000 — 6300 — 8000

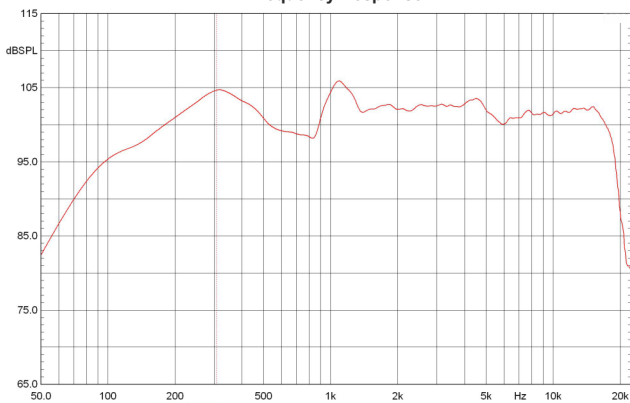


Vertical polar diagram

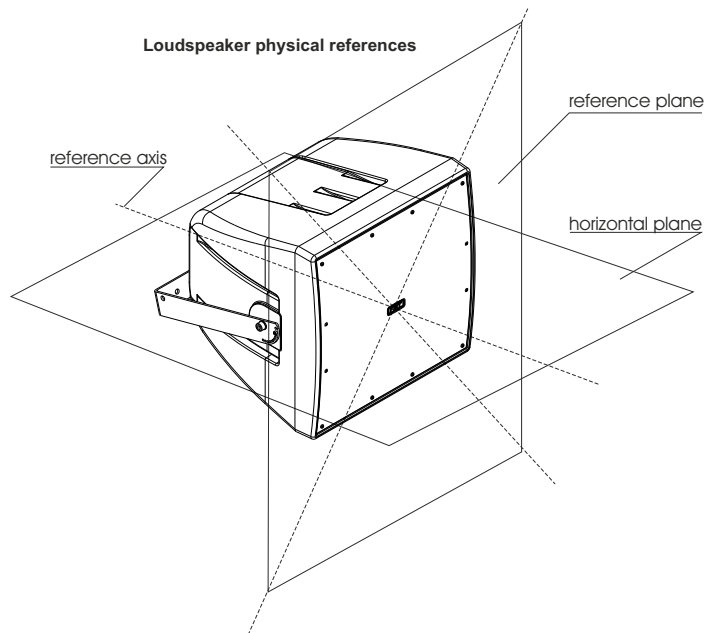
— 9000 — 10000 — 12500 — 14000



Frequency Response



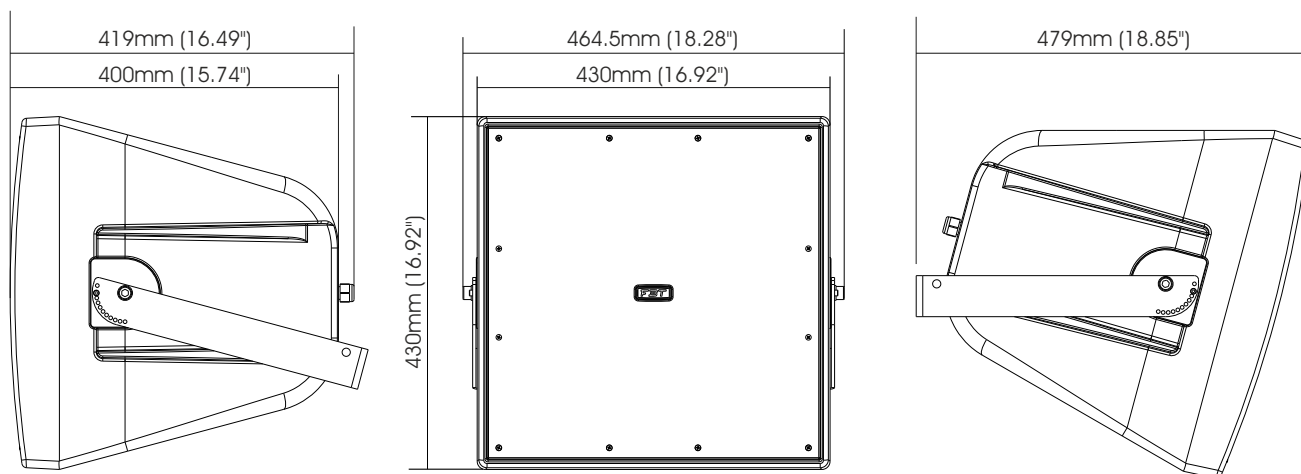
Loudspeaker physical references



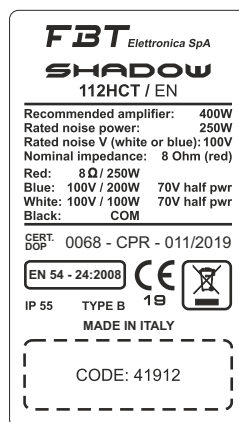
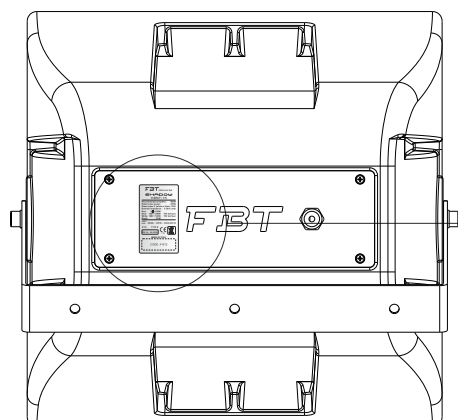


SHADOW 112HCT / EN

DIMENSIONAL DRAWINGS



TECHNICAL SPECIFICATIONS LABEL



INCLUDED ACCESSORY

