



DESCRIPTION

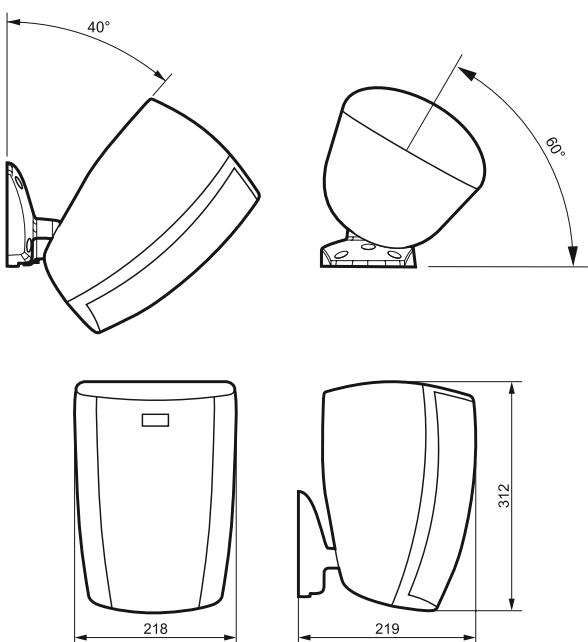
60W two way bass reflex speaker unit

The PROJECT 660, made of ABS with a front metal grille, utilizes a compact two-way system guaranteeing high performances, wide dynamics, high fidelity sound reproduction and high voice intelligibility. These speaker units are equipped with an exclusive fully adjustable support bracket for easy installation, to cut costs and save installation time. The bracket may be attached to the wall prior to installing the loudspeaker and is provided with a safety cable. Connection to the loudspeakers is via plug in "Euroblock" connector and adjustment of loudspeaker output is made via screwdriver adjustable switch.

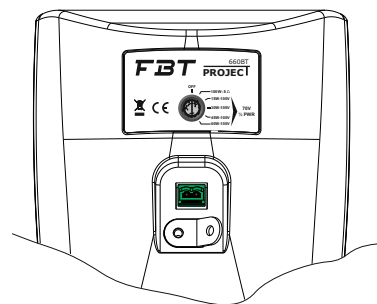
SPECIFICATIONS

Rated power	60W
Adjustable power	60 -45 - 30 - 15W
Impedance	8 Ohm
Loudspeakers	1 woofer 6,5" + 1 tweeter
Sound pressure SPL (Pnom/1m)	111dB
Sensitivity (1W,1m)	90dB
Frequency response	70 ÷ 20.000Hz
Dispersion angle @2kHz	90°
Mounting	Wall mounting bracket (included)
Colour	Project WHT: white RAL 9010 Project BT: black RAL 9005
Dimensions	218 x 312 X 219
Weight	4,5kg

DIMENSIONS

**PROJECT 660****ABS SPEAKER SYSTEM**

POWER SWITCH & EUROBLOCK CONNECTOR



The speaker can be connected to audio lines at constant voltage (100V / 70V) or with constant impedance (8 Ohm)

FREQUENCY RESPONSE

