



DESCRIPTION

50W two way bass reflex speaker unit

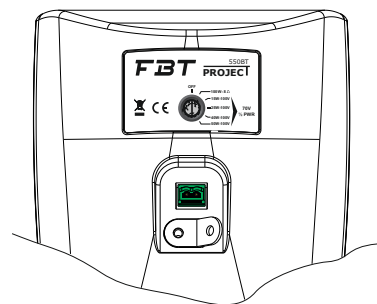
The PROJECT 550, made of ABS with a front metal grille, utilizes a compact two-way system guaranteeing high performances, wide dynamics, high fidelity sound reproduction and high voice intelligibility. These speaker units are equipped with an exclusive fully adjustable support bracket for easy installation, to cut costs and save installation time. The bracket may be attached to the wall prior to installing the loudspeaker and is provided with a safety cable. Connection to the loudspeakers is via plug in "Euroblock" connector and adjustment of loudspeaker output is made via screwdriver adjustable switch.

SPECIFICATIONS

Rated power	50W
Adjustable power	50 - 40 - 25 - 15W
Impedance	8 Ohm
Loudspeakers	1 woofer + 1 tweeter (bass-reflex)
Sound pressure SPL (Pnom/1m)	109dB
Sensitivity (1W,1m)	98dB
Frequency response	80 ÷ 20.000Hz
Dispersion angle @2kHz	100°
Mounting	Wall mounting bracket (included)
Colour	Project WHT: white RAL 9010 Project BT: black RAL 9005
Dimensions	168 x 240 x 180mm
Weight	2,3kg

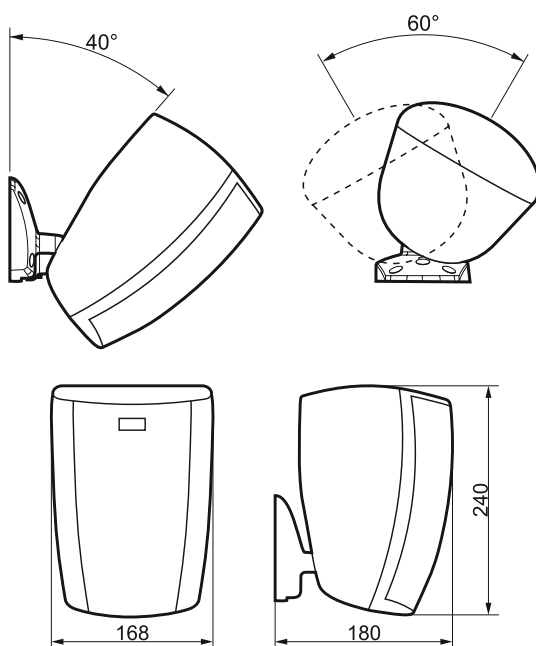
PROJECT 550**ABS SPEAKER SYSTEM**

POWER SWITCH & EUROBLOCK CONNECTOR

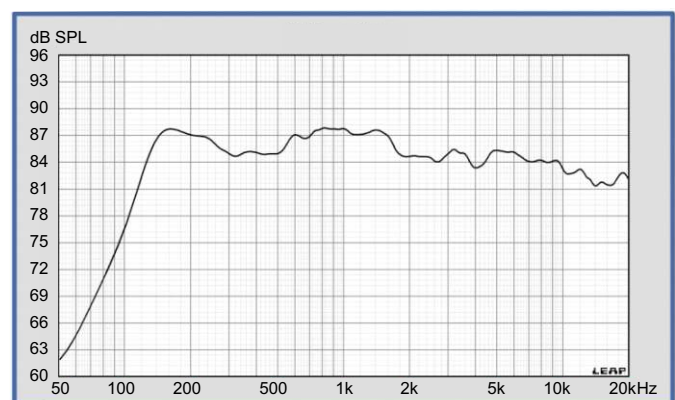


The speaker can be connected to audio lines at constant voltage (100V / 70V) or with constant impedance (8 Ohm)

DIMENSIONS



FREQUENCY RESPONSE



F.B.T. ELETTRONICA S.p.A. reserve the right to make changes to the drawings and specifications at any time and without notice.

