



## DESCRIPTION

**30W two way bass reflex speaker unit**

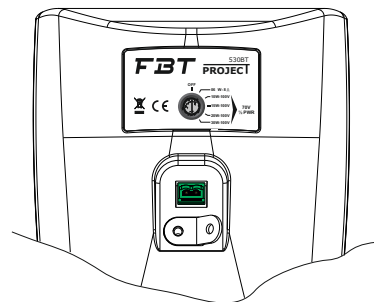
The PROJECT 530, made of ABS with a front metal grille, utilizes a compact two-way system guaranteeing high performances, wide dynamics, high fidelity sound reproduction and high voice intelligibility. These speaker units are equipped with an exclusive fully adjustable support bracket for easy installation, to cut costs and save installation time. The bracket may be attached to the wall prior to installing the loudspeaker and is provided with a safety cable. Connection to the loudspeakers is via plug in "Euroblock" connector and adjustment of loudspeaker output is made via screwdriver adjustable switch.

## SPECIFICATIONS

|                              |   |
|------------------------------|---|
| Rated power                  | 30W   |
| Adjustable power             | 30 - 20 - 15 - 10W  |
| Impedance                    | 8 Ohm   |
| Loudspeakers                 | 1 woofer + 1 tweeter (bass-reflex)                        |
| Sound pressure SPL (Pnom/1m) | 106dB   |
| Sensitivity (1W,1m)          | 87,5dB  |
| Frequency response           | 85 ÷ 15.000Hz   |
| Dispersion angle @2kHz       | 100°  |
| Mounting                     | Wall mounting bracket (included)                          |
| Colour                       | Project WHT: white RAL 9010<br>Project BT: black RAL 9005 |
| Dimensions                   | 168 x 240 x 180mm   |
| Weight                       | 2,3kg   |

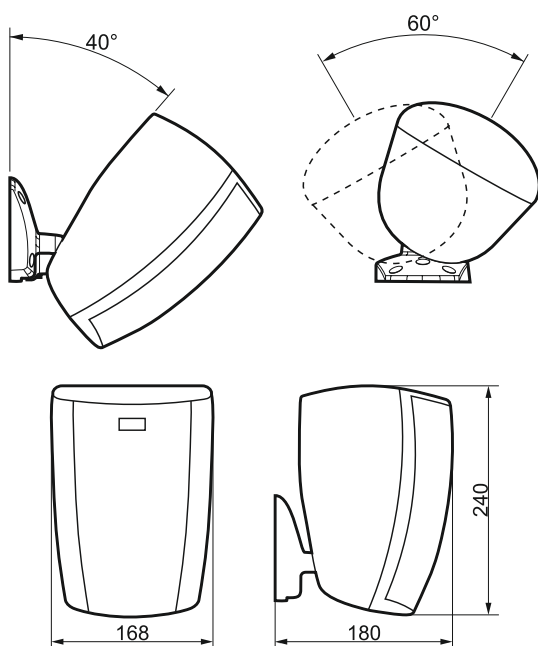
**PROJECT 530****ABS SPEAKER SYSTEM**

## POWER SWITCH &amp; EUROBLOCK CONNECTOR

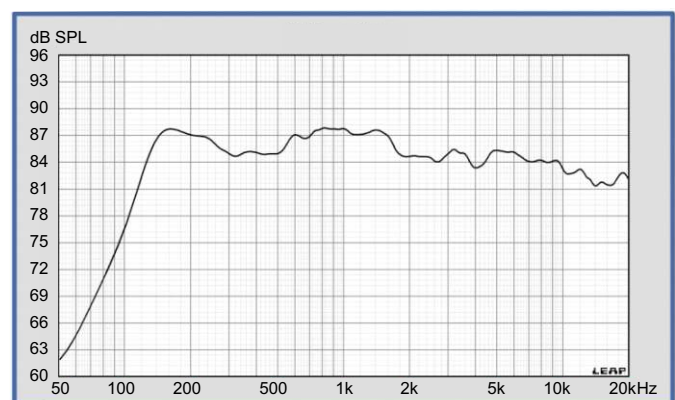


The speaker can be connected to audio lines at constant voltage (100V / 70V) or with constant impedance (8 Ohm)

## DIMENSIONS



## FREQUENCY RESPONSE



F.B.T. ELETTRONICA S.p.A. reserve the right to make changes to the drawings and specifications at any time and without notice.

