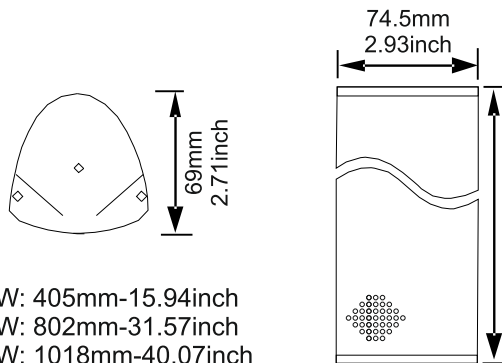


DESCRIPTION

CONSTANT VOLTAGE SPEAKER SYSTEMS

This connection system entails each speaker being equipped with its own line transformer. The amplifier must be supplied with 100V or 70V constant voltage outputs. The loudspeakers, connected in parallel to the amplifier output, will make it easy to amplify the system deriving from any of the speakers installed previously, if necessary; in the same manner loudspeakers which are no longer necessary can be eliminated. In the connections, the "phase" both of the individual speaker to its transformer and the in-parallel connection of speakers must be respected. The input voltage of the speaker must correspond to the output voltage of the amplifier; the sum total of the rated power outputs of all the speakers connected to the line must not exceed that of the amplifier.

DIMENSIONS



CS3130/TW: 405mm-15.94inch
 CS3150/TW: 802mm-31.57inch
 CS3180/TW: 1018mm-40.07inch

CS 3130TW - CS 3150TW - CS3180TW
ALUMINIUM COLUMN SPEAKER


Type	CS3130/TW	CS3150/TW	CS3180/TW
Frequency Response	180~18kHz		
Sensitivity	91dB	91dB	91dB
Power Taps	7.5W/15W/30W/8Ω	12.5W/25W/50W/20Ω	20W/40W/80W/28Ω
Line input	100V		
Dimension (L*W*H)	405*74.5*69mm	802*74.5*69mm	1018*74.5*69mm
Physical Specification			
Material	Aluminium(RAL 9010)		
Grille	Powder Coated ALU Mesh(RAL 9010)		
Component	4x2"LO+1x1"HI	10x2"LO+1x1"HI	14x2"LO+1x1"HI
Finished Colour	RAL 9010		
Unit Weight	1.7kg	3.5kg	4.4kg
Gross Weight	1.9kg	3.8kg	4.7kg
IP Rating	IP 55		
Accessories	Mounting brackets included		

Speaker Specification

Voice Coil Size	Φ0.1*2Layer
DC Impedance	7.2Ω
Former	PSV
Magnet	Ferrite Φ45 * Φ22 * 8(Y30)
Basket	Iron
Cone Material	Paper
Spider	Cloth
Dust cap	Paper

