

EN 54 - 24

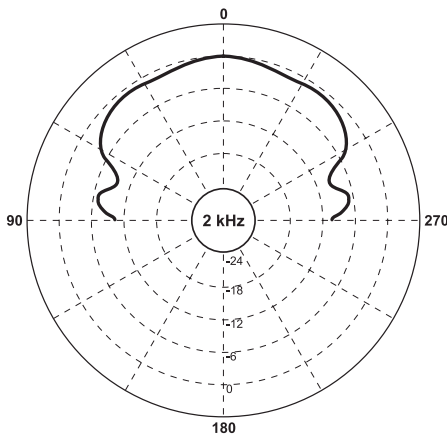
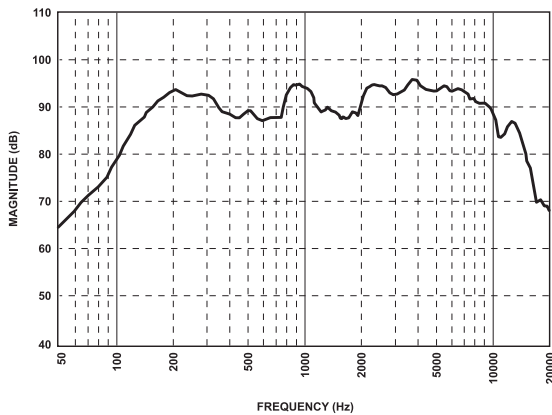
WMS 406T/EN WALL-MOUNTING SPEAKER

Description

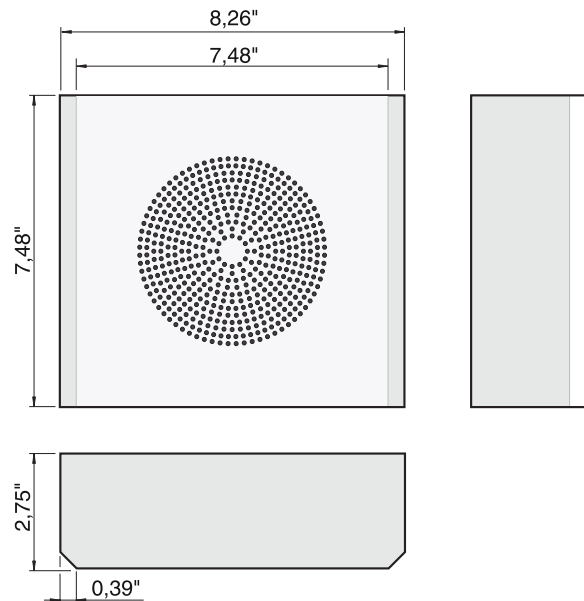
WMS 406 T/EN speakers have been designed as surface or ceilingmounted units for a wide area of applications. Thanks to their steel casings the speakers are tough to vandals and more resistant to any and all mechanical damages. They are equipped with ceramic terminal block and thermal fuse that ensure continuous operations of sound transmitting line connected with the loudspeaker even in the case the latter is damaged or burnt as a result of fire.



Diagrams



Dimensions



Technical data

Rated Power	6 W
Adjustable Power	6 - 3 - 1,5 W
Line Input	50 - 70 - 100 V
Frequency Response	120 ÷ 15.000 Hz
Sensitivity(1W/1m)	91 dB
Sound Pressure (Pnom/1m)	98 dB
Dispersion Angle (2 kHz)	130°
Weight	1,6 kg

