

MCSL 006TW

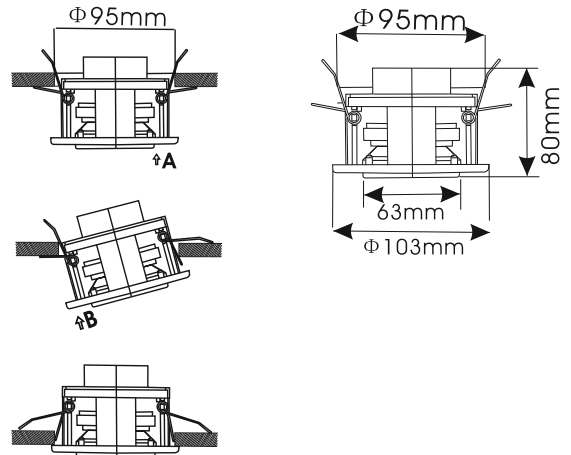
ABS IN-CEILING SPEAKER

Technical data

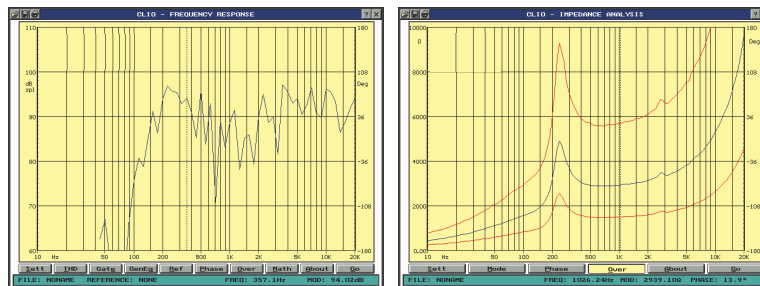
General Specification	
Frequency Response	120-20KHz
S.P.L.	91dB at 100V 3W
Sensitivity(1M/1W)	87dB
Rated power	6W
Power Taps	6W/3W
Line input	100V
Hole for mounting	Φ95mm
Dimension(L*W*H)(mm)	Φ103*80
Physical Specification	
Material	ABS(white ral 9016)
Grille	Powder Coated Iron Mesh White ral 9016
Component	2.5" full speaker
Finished Colour	White ral 9016
Unit Weight	0.5Kg
Gross Weight	15kg/24pcs
Packing Dimension	46*35*21cm
Woofer Speaker Specification	
Voice Coil Size	0.09*2layer
DC Impedance	7.2Ω
Former	Paper
Magnet	Ferrite(105g) Φ60*Φ24*8(Y30)
Basket	Iron
Cone Material	Paper
Spider	Cloth
Dust cap	Paper
Net Weight	220g



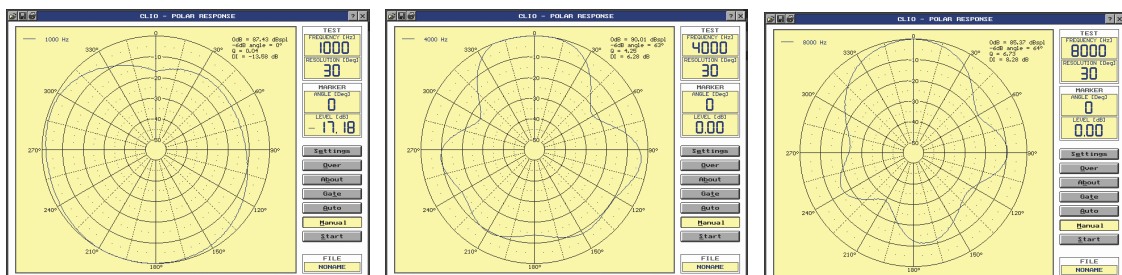
Dimensions



Frequency response



Polar response



FBT ELETTRONICA S.p.A. reserve the right to make changes to the drawings and specifications at any time and without notice.

