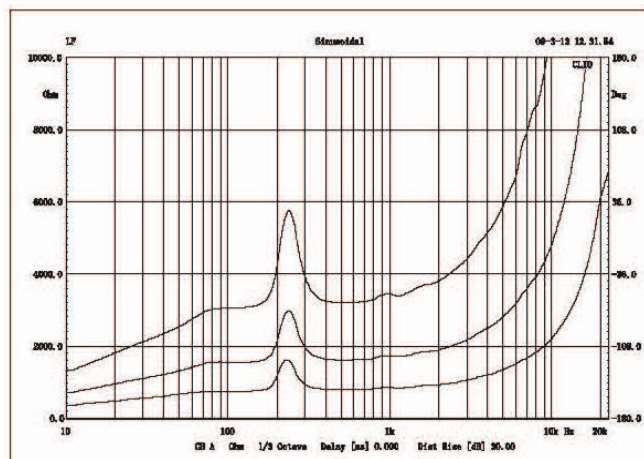
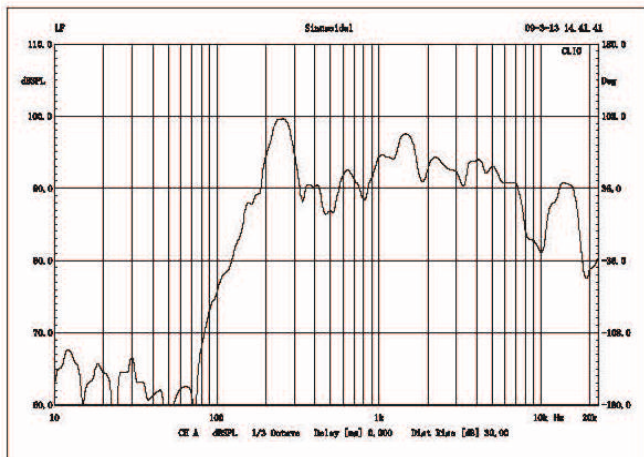
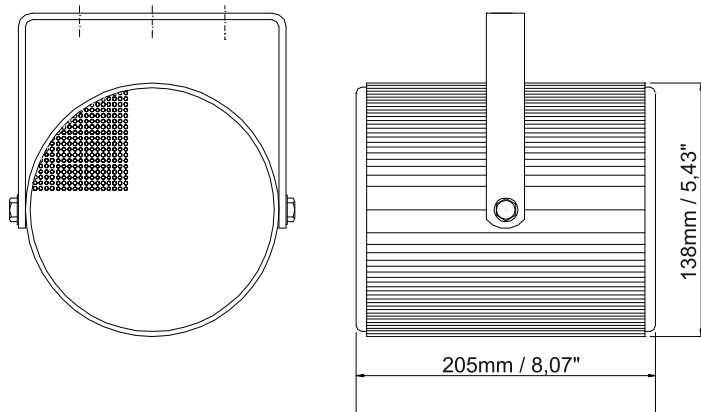




CESL 10T

ALUMINIUM WEATHER-PROOF SOUND PROJECTOR



Specifications

GENERAL SPECIFICATIONS	
Frequency response	130 - 15Khz
SPL	100dB at 100V 10W/m
Sensitivity (1W,1m)	91±3dB
Power handling	10W
Power taps	2,5W / 5W / 10W
Line input	100V
Dimensions	Ø138mm x 205
PHYSICAL SPECIFICATIONS	
Material	Aluminum (white RAL 9016)
Component	5"
Grill	Powder coated aluminum mesh
Finished colour	White RAL 9016
Unit weight	2,7kg
Gross weight	24kg / 8pcs
Packing dimension	74cm x 38cm x 29cm
WOOFER SPEAKER SPECIFICATIONS	
Voice coil size	PSV Ø 20,4 x Ø 0,12 x 2 layer
DC impedance	6,8 Ohm
Former	Paper
Magnet	Ferrite
Basket	Iron
Cone material	Paper with coating
Spider	Cloth
Dust cap	Mylar sub cone
Net weight	550gr.

