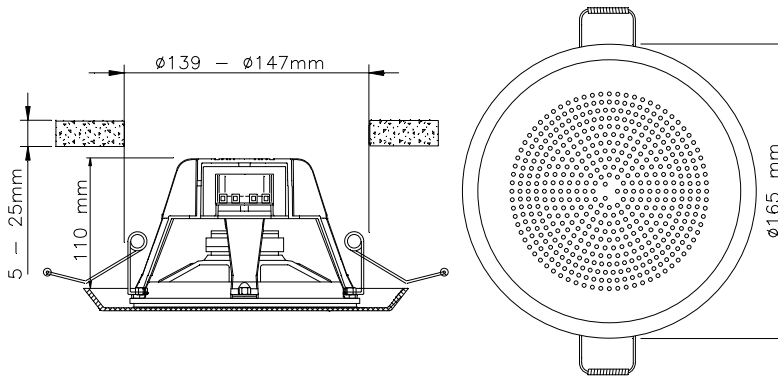
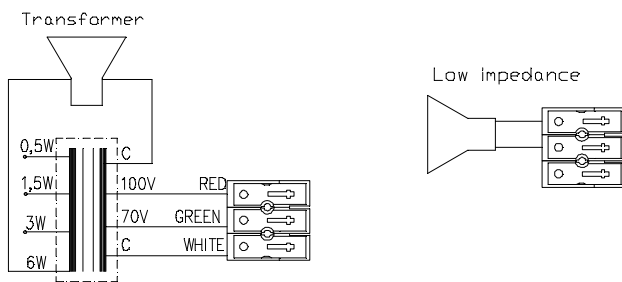


BK 560 CRT

DNH ALUMINIUM CEILING LOUDSPEAKER



Circuit diagram



70/100 Volt combined transformer

Primary connections

White : Green 70 V

White : Red 100 V

Secondary nominal tapings

C : 6W 6,0 W

C : 3W 3,0 W

C : 1,5W 1,5 W

C : 0,5W 0,5 W

Sound pressure levels at 1W/1m w/P-5/15 PS

Specifications



Material / Color	PA V0/Aluminum / RAL9010
Mounting	Springs
Termination	Spring clamps
Weight w/transformer	0,6 kg
IP-rating	
Max. / min. amb. temp	90°C / -20°C
Rated / max. power	6 W / 15 W
SPL 1W/1m	90 dB
SPL rated power	97 dB
Effective freq. range	130 – 15000 Hz
Dispersion (-6dB) 1kHz / 4kHz	160° / 55° (Baffle)
Options	Impedances, colors, labels

Installation, Operation and Maintenance Procedures

Connect to terminal (70V or 100V) and select required tapping into the transformer.

Install loudspeaker grill by bending back two spring clamps and inserting in to the ceiling hole.

For optimum performance, always use the correct voltage / power and operate within the frequency limits as stated.

Take care when loudspeaker is energized (100 V).

This loudspeaker is supplied with a two years warranty against defective workmanship.

