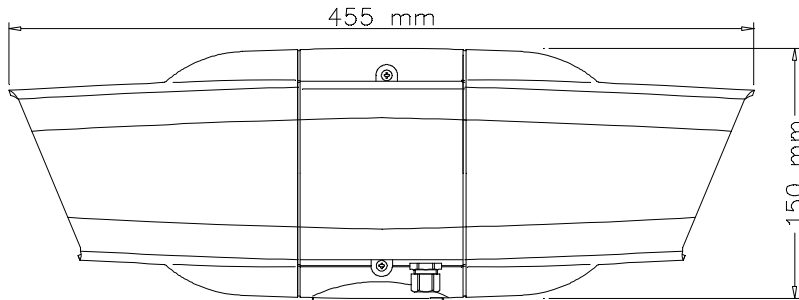


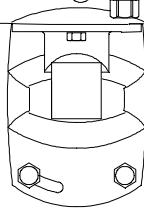


DPD 10T

DNH IP55 RATED SOUND PROJECTOR



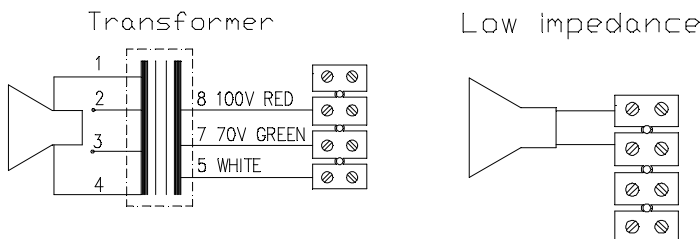
All outside nuts and screws
in stainless steel



M12 cable gland
Cable diameter:
2,5mm – 6,5mm



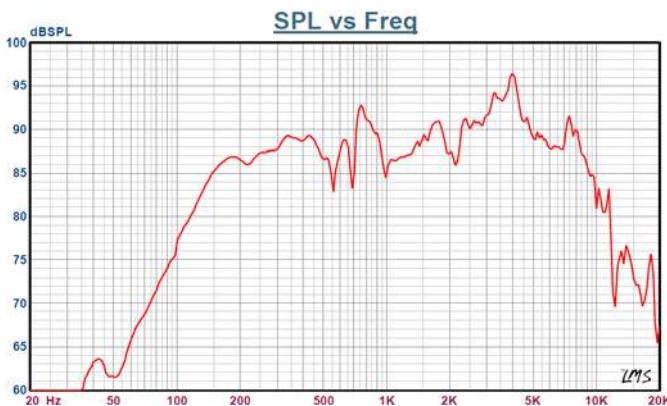
Circuit diagram



70/100 Volt combined transformer Primary connections	
White : Green	70 V
White : Red	100 V

Secondary nominal tapings	
1 : 4	10,0 W
1 : 3	5,0 W
2 : 4	3,5 W
1 : 2	2,5 W
3 : 4	1,5 W
2 : 3	0,8 W

Sound pressure levels at 1W/1m w/P-5/15 PS



Specifications

Material / Color	Ronfalin(5VA) / RAL7035
Mounting	Polyamide swivel bracket
Termination	Screw terminal
Weight w/transformer	3,3 Kg
IP-rating	55
Max. / min. amb. temp	90°C / -40°C
Rated / max. power	10 W / 15 W
SPL 1W/1m	90 dB
SPL rated power	99 dB
Effective freq. range	110 – 16000 Hz
Dispersion (-6dB) 1kHz / 4kHz	2x156° / 2x42° (Bi-directional)
Options	Impedances, colors, labels

Installation, operation and maintenance procedures

- Fasten the bracket to wall or ceiling with 2-4 screws. Install the loudspeaker on swivel bracket with the two enclosed bolts and washers. This unique bracket system allows multiple positioning options. Find the preferable position of the loudspeaker and secure the position with tightening the extra hexagonal screw on bracket.
- Remove the lid on the side of the loudspeaker, connect to terminal (70V or 100V) and select required tapping in to the transformer.
- Screw lid back on and be sure to tighten the cable gland.
- Connect to terminal (70V or 100V) and select required tapping in to the transformer.
- For optimum performance, always use the correct voltage / power and operate within the frequency limits as stated.
- Do not open loudspeaker when energized.
- This loudspeaker is supplied with a two years warranty against defective workmanship.

