

Audio Press Box[®]

APB-416 C

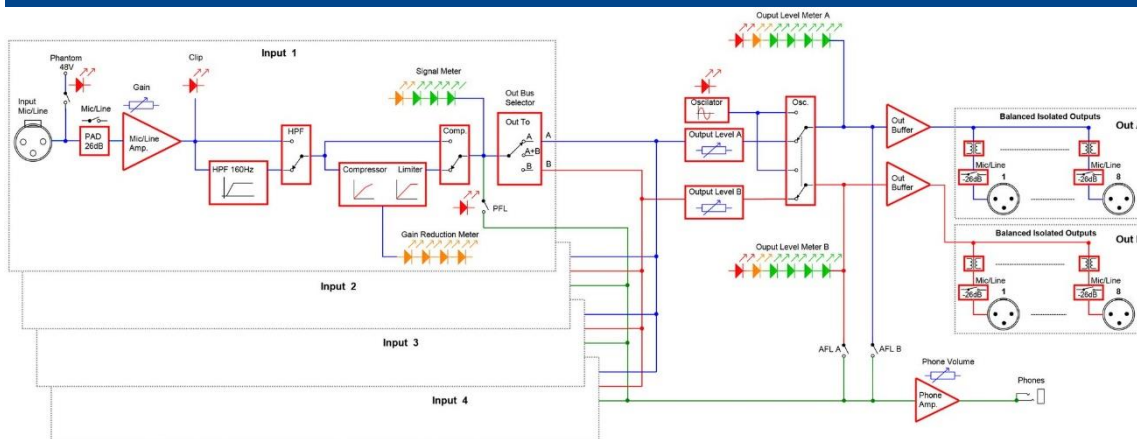
- Audio Press Box – Active, portable, 4x MIC/Line In, 16 Line/MIC Out, AccuPack 10 hours



Features

- 4 MIC (phantom power) / LINE Inputs – balanced with gain control and 26dB PAD
- Each Input is routable to A/(A+B)/B Outputs Group
- 16 High quality independent transformer balanced and isolated outputs
- Each Outputs is switchable between MIC or LINE level
- 2 internal Output Groups: 8x Output A and 8x Output B
- Switchable High-Pass filter for each Input channels
- Switchable Compressor and Limiter for each Input channel
- PFL/AFL for each Input/Output channels
- Constant level Test signal oscillator with no mistake switch operation
- Headphones control Output for PFL/AFL
- Li-Ion AccuPack with microprocessor controlled battery management
- 10 hour full load capacity. Note: AccuPack is placed inside the unit

BLOCK DIAGRAM APB-416 C



Audio Press Box[®]

Audio Press Box APB-416 C

| | | |
|-------------------------------|--|---|
| Type | 4 in 24 out | |
| Groups | 2 | |
| Input section | | |
| Inputs | 4 | |
| Input connectors | Balanced, XLR | |
| Input Gain | MIC +22/+62 dB | LINE -4/+36 dB |
| Max. input level | Limiter ON | Limiter OFF |
| | Mic: -10/-30dBu Line: +36/-4dBu | Mic: -2/-42dBu Line: +24/-16dBu |
| Phantom Voltage | 48V | |
| Input Impedance | Mic: 2,4 kOhm | Line: 3,5 kOhm |
| Output section | | |
| Outputs | 16 Line/MIC level (8x Output A, 8x Output B), | |
| Output connectors | Balanced, XLR | |
| Nominal Output Level | +6dBu | |
| Maximum Output Level | +20dBu (no load) +14dBu (600kOhm) | |
| Output impedance | Mic: 220 Ohm | Line: 600 Ohm |
| Transformer isolated outputs: | Yes (each output) | |
| SNR | 86dB | |
| Frequency Response | 30/160Hz (filter) to 30kHz/-1dB | |
| Controls | Input section: 26dB PAD, Input gain, Phantom, High-pass filter, Compressor, PFL, routing switch | Output section: Oscillator, Output level for Bus A and Bus B, AFL for Bus A and Bus B, Phones level, Power, Output PAD |
| Indicators | Input section: Input clip, Phantom power, Input level, Gain reduction, PFL | Output section: Output level for Bus A and Bus B, Oscillator, Power, Battery status |
| Power Supply | 24V DC, 300mA external adaptor | |
| Battery | Li-Ion, 14,4 V 2200mAh | |
| Battery operation time | min.8 hrs | |
| Weight | 7 kg | |

Mediatech Central Europe, a.s., Drienova 34, Bratislava, 821 02, Slovak Republic, EU
Tel: +421-2-20 999 700 | E-mail: sales@audiopressbox.com | Web: www.audiopressbox.com

