

# Audio Press Box<sup>®</sup>

## APB-P112 SB

- Audio Press Box –Passive 1 Line Input, 12 MIC Outputs



### FEATURES

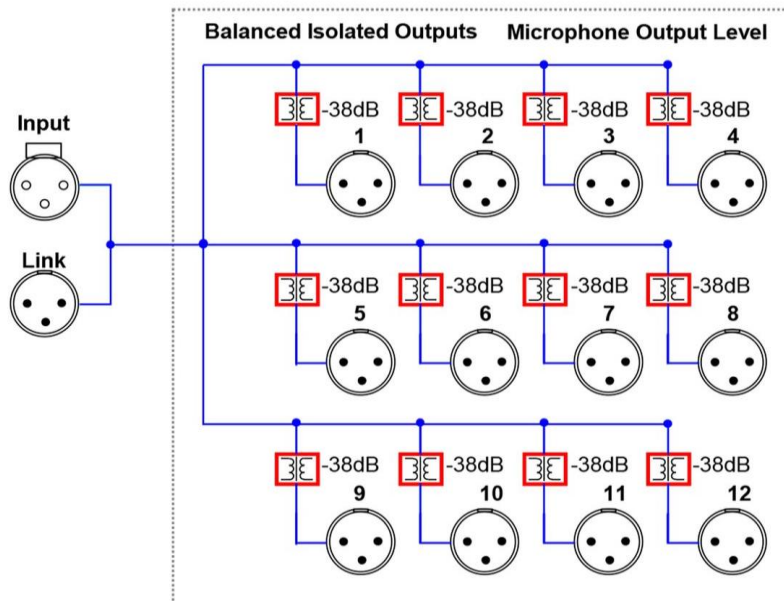
- 1 balanced LINE Input
- 12 High quality balanced Outputs, each Output is independent transformer isolated
- 

### ADVANTAGES

- **Professional**  
APB is a sophisticated tool for professional audio distribution at press conferences, presentations and other events.
- **Easy to use**  
Perfect signal conditioning means securing a high quality, constant and identical signal for all connected users, without possibility of interacting.

# AudioPressBox®

## BLOCK DIAGRAM APB-P112 SB



## TECHNICAL SPECIFICATION APB-P112 SB

Type	1 in 12 out
Groups	1
Inputs	1
Input connectors	ballanced, XLR
Max. input level	Line: +24dBu
Input Impedance	2,5kOhm
Ouputs	12 MIC level (-38dBu) 1 Input link (Line level)
Ouput connectors	ballanced, XLR-M connector
Transfomer isolated outputs	Yes ( <b>each output</b> )
Nominal Output level	-38dBu (0dBu on the input)
Maximum Output level	-14dBu (no load) -20dBu (150 Ohm)
Output Impedance	150 Ohm
Frequency Response	10Hz to 30kHz/-1dB
Dimensions (WxHxD)	134x88x224 mm

Mediatech Central Europe, a.s., Drienova 34, Bratislava, 821 02, Slovak Republic, EU  
Tel: +421-2-20 999 700 | E-mail: sales@audiopressbox.com | Web: www.audiopressbox.com

