



**RDL**<sup>®</sup>  
Radio Design Labs

SPECIALISTS IN PRACTICAL PRECISION ENGINEERING™

**ACCESSORIES**  
**Model SF-UCB2**  
**Under Counter Bracket Pair for SysFlex Products**



SF-UCB2

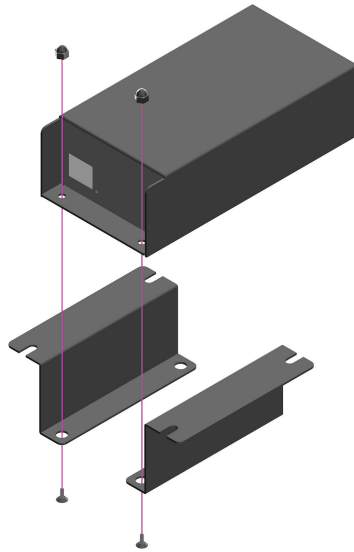


With Product Installed  
(SF-DN4 Available Separately)

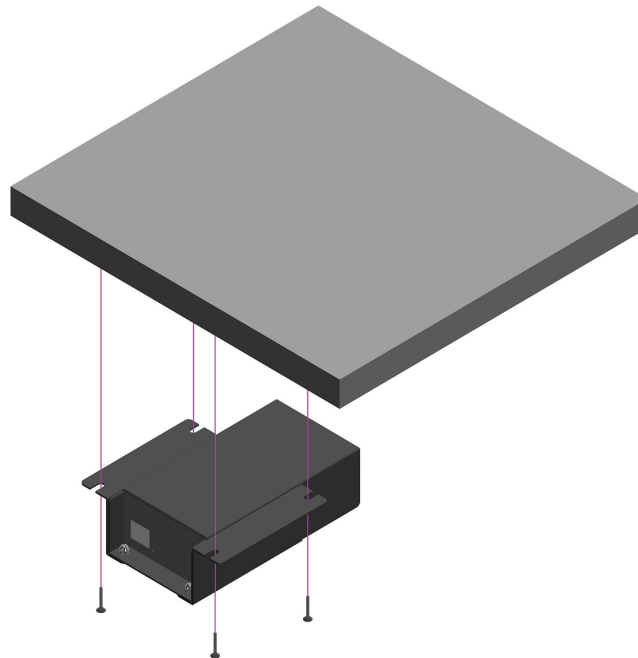


**ACCESSORIES**  
**Model SF-UCB2**  
**Under Counter Bracket Pair**  
**for SysFlex Products**

**Installation/Operation**



**STEP #1**  
Using the included screws and acorn nuts, attach the SF-UCB2 brackets to the unit to be mounted.



**STEP #2**  
Attach the brackets and the unit to be mounted to the mounting surface with 4 screws. (Not included)

