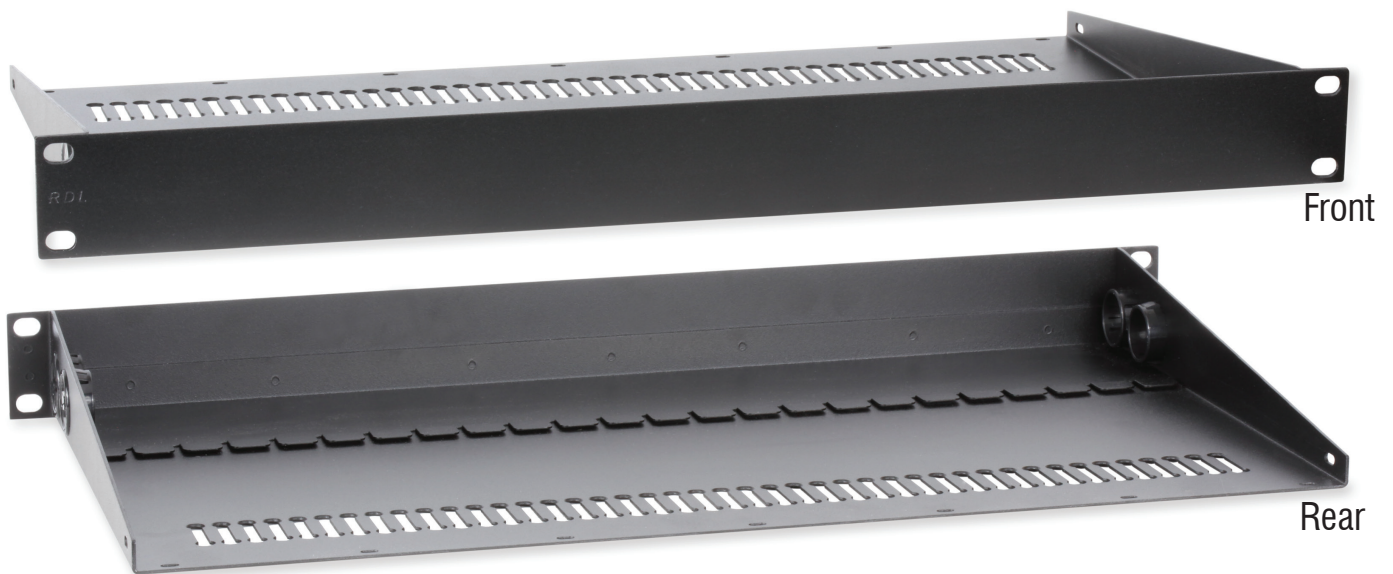



**ACCESSORIES**  
**Model SF-RA1**  
**SysFlex™ Rack Adapter**

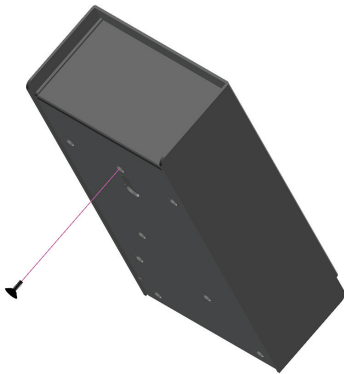
The SF-RA1 rack mounts several SysFlex modules in fixed or mobile installations. Modules quickly snap into the SysFlex rack mount and each is firmly secured with a single screw. The racking system segregates network and power wiring from the audio and digital audio connectors.



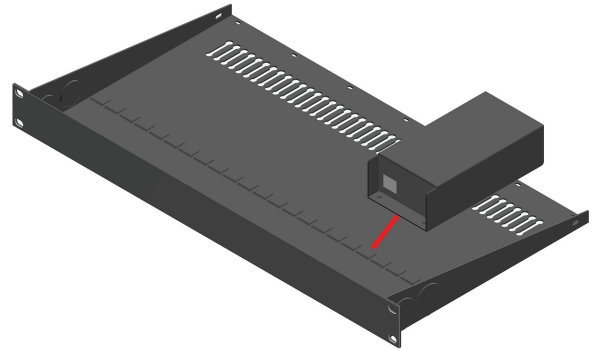
**ACCESSORIES**  
**Model SF-RA1**  
**SysFlex™ Rack Adapter**

**Installation/Operation**

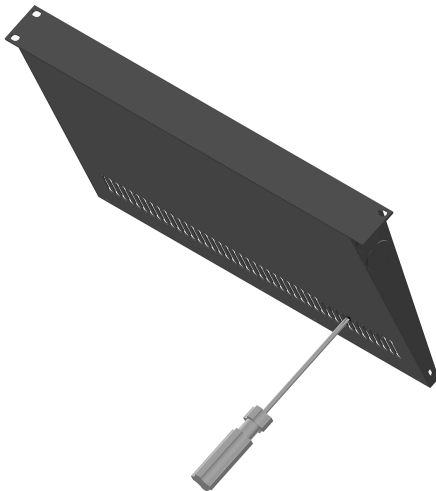
 Declaration of Conformity available from rdlnet.com.  
Sole EMC specifications provided on product package.  
Specifications are subject to change without notice.



**STEP #1**  
Start the screw into the bottom of the SYSFLEX unit but do not install it all the way.



**STEP #2**  
Place the SYSFLEX module into the SF-RA1 with the screw positioned in the rear hole of the dog-bone cutout. Slide the module forward so that the tab slides into the slot.



**STEP #3**  
Secure the module to the mount by tightening the screw.

**TYPICAL PERFORMANCE**

Dimensions: 19" (48.26 cm) W; 1.75" (4.45 cm) H; 10" (25.4 cm) D  
Mounting: The rack adapter provides for mounting of SysFlex modules with combined widths of up to 17 inches.

