

## ACCESSORIES

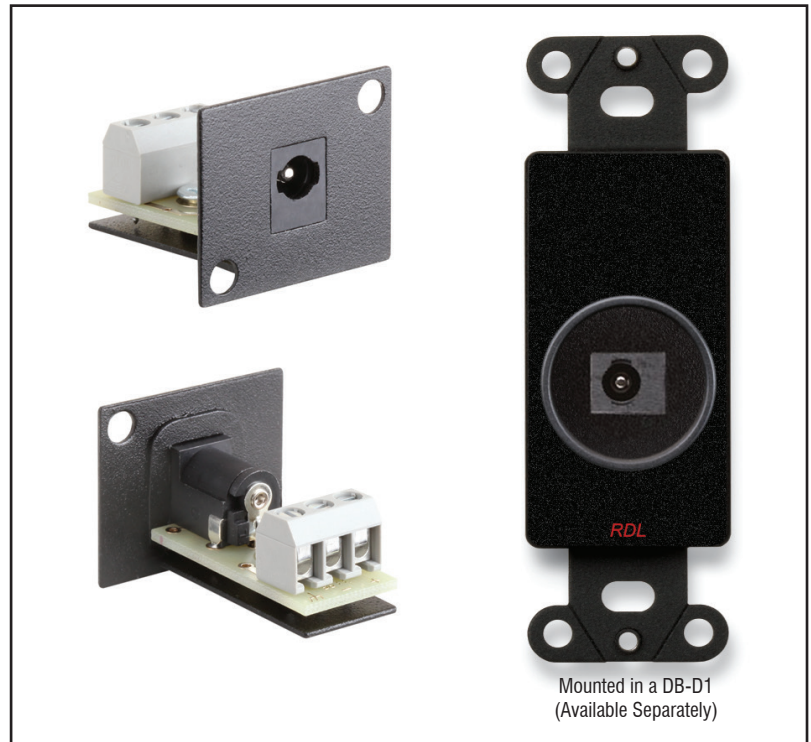
### Model AMS-PJ1

### Power Jack Assembly

### for 24 V power supplies

### Terminal block connections

- Mounts in D-Style Standard Cutouts
- Mounts in all AMS Mounting Frames
- Mounts in RDL Decora-Style Wall Plates
- Availability of a Wide Variety of Associated AMS Accessories
- Bezel Provides Professional Aesthetic Appearance
- Provides Flexibility for Connections and Controls




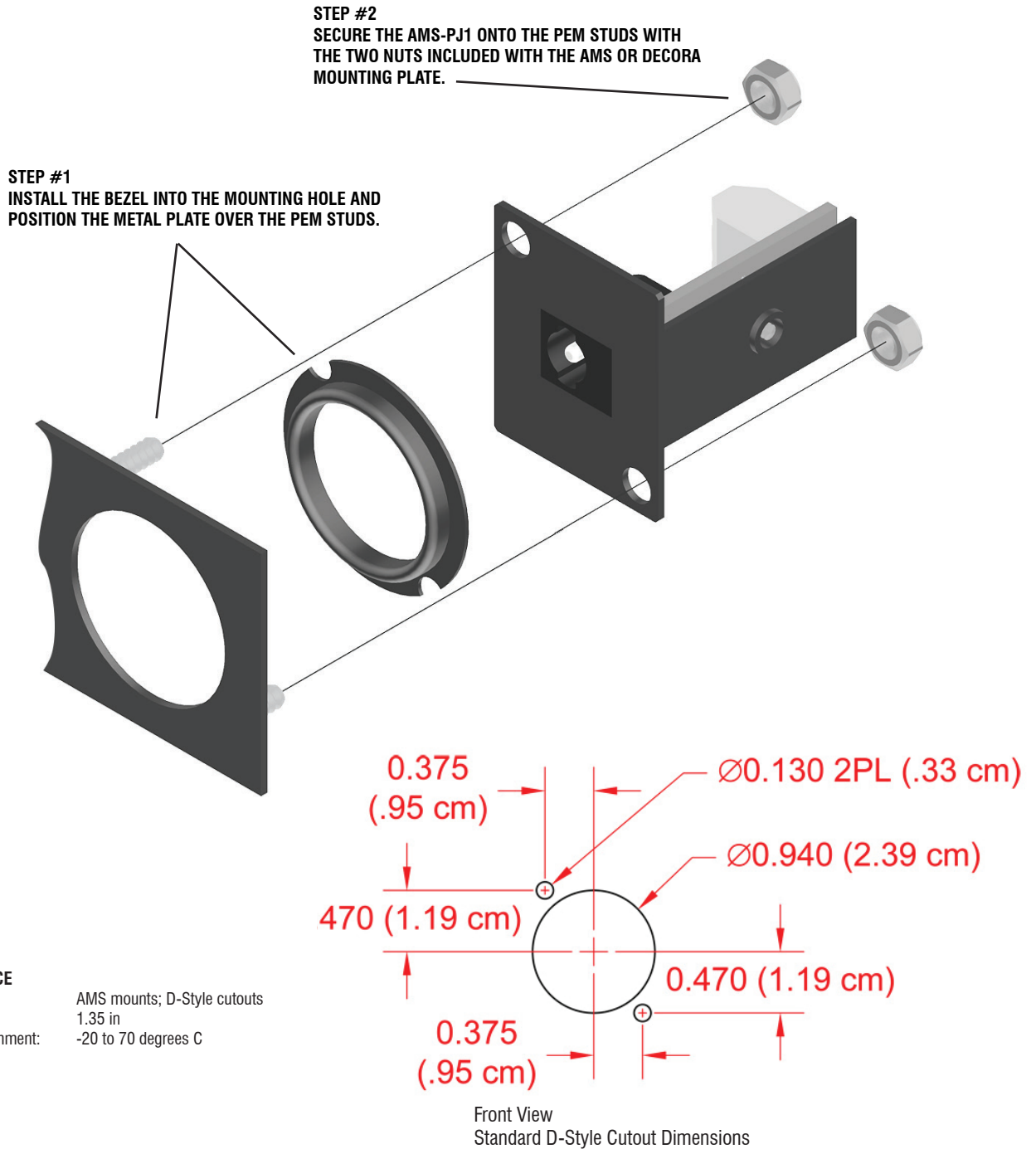
The AMS SYSTEM is a versatile product group from Radio Design Labs. The unique design allows the associated AMS accessories to mount into any standard RDL RACK-UP® or HALF-RACK mounting opening as well as other RDL mounting accessories and enclosures. These optionally available RDL rack mount, wall mount and countertop enclosures make the AMS SYSTEM accessories useful in a wide variety of installations.

**APPLICATION:** The AMS-PJ1 is an accessory with a dc power jack that mounts in AMS mounting frames and in standard D-style cutouts. The 2.5 mm power jack is compatible with RDL 24 Vdc power supplies. A high quality terminal block is provided for power connections. The front plate and bracket are constructed of black satin powder coated steel. A black plastic bezel is provided to finish the D-style cutout hole when the accessory is mounted. These accessories are designed to mount behind the front panel of industry products that provide D-style cutouts.

**ACCESSORIES**  
**Model AMS-PJ1**  
**Power Jack Assembly**  
**for 24 V power supplies**  
**Terminal block connections**

**Installation/Operation**

 Declaration of Conformity available from rdlnet.com.  
Sole EMC specifications provided on product package.  
Specifications are subject to change without notice.



**TYPICAL PERFORMANCE**

Mounting: AMS mounts; D-Style cutouts  
Depth (behind the panel): 1.35 in  
Ambient Operating Environment: -20 to 70 degrees C

