

ACCESSORIES

Model AMS-XLF

XLR 3-Pin Female Jack

Terminal block connections

- Mounts in D-Style Standard Cutouts
- Mounts in all AMS Mounting Frames
- Mounts in RDL Decora-Style Wall Plates
- Availability of a Wide Variety of Associated AMS Accessories
- Provides Flexibility for Connections and Controls



The AMS SYSTEM is a versatile product group from Radio Design Labs. The unique design allows the associated AMS accessories to mount into any standard RDL RACK-UP® or HALF-RACK mounting opening as well as other RDL mounting accessories and enclosures. These optionally available RDL rack mount, wall mount and countertop enclosures make the AMS SYSTEM accessories useful in a wide variety of installations.

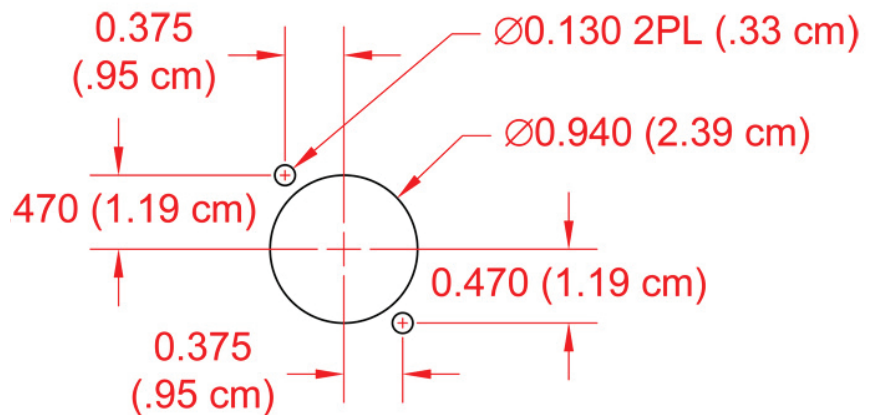
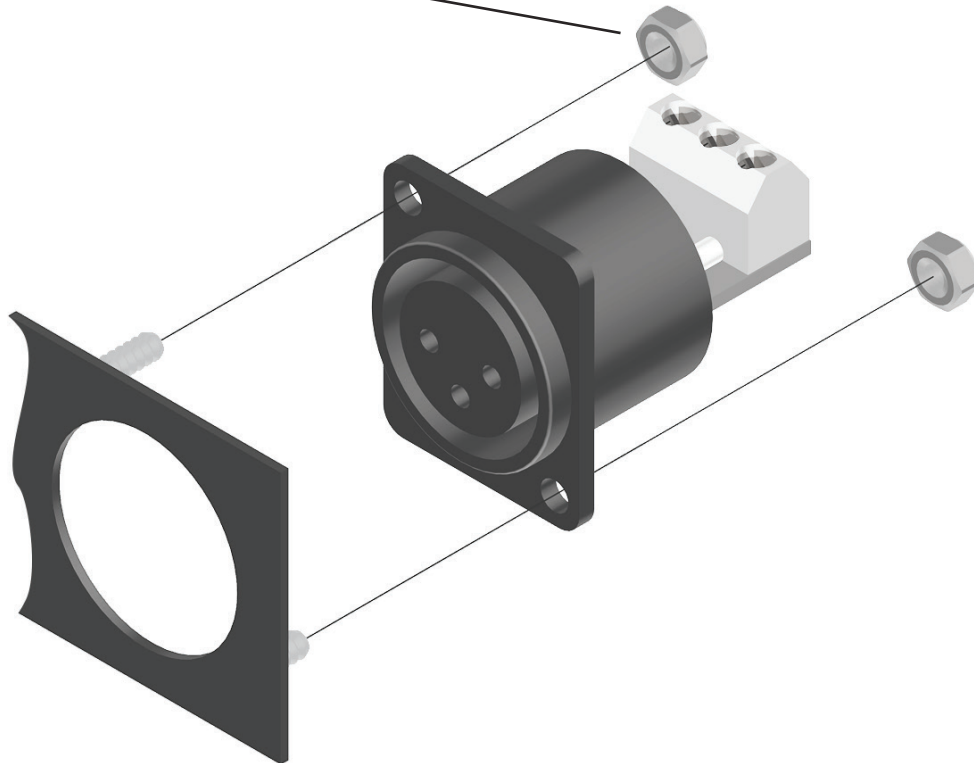
APPLICATION: The AMS-XLF is a metal female XLR connector equipped with a high quality terminal block for audio connections. The connector mounts in AMS mounting frames and in standard D-style cutouts.

ACCESSORIES
Model AMS-XLF
XLR 3-Pin Female Jack
Terminal block connections

Installation/Operation

CE Declaration of Conformity available from rdlnet.com.
Sole EMC specifications provided on product package.
Specifications are subject to change without notice.

STEP #1
SECURE THE AMS-XLF ONTO THE PEM STUDS WITH
THE TWO NUTS INCLUDED WITH THE AMS OR DECORA
MOUNTING PLATE.



Front View
Standard D-Style Cutout Dimensions

TYPICAL PERFORMANCE

Mounting: AMS mounts; D-Style cutouts
Depth (behind the panel): 1.35 in
Ambient Operating Environment: -20 to 70 degrees C

