



## ACCESSORIES

DC-1B, DC-2B, DC-3B, DC-4B

DC-1G, DC-2G, DC-3G, DC-4G

DC-1W, DC-2W, DC-3W, DC-4W

### Desk Top Chassis

(B-Black, G-Gray, W-White)

The DC-1, 2, 3 and 4 desk top chassis hold one, two, three or four Decora®-style products, including RDL remote controls and connector plates.

## Installation/Operation

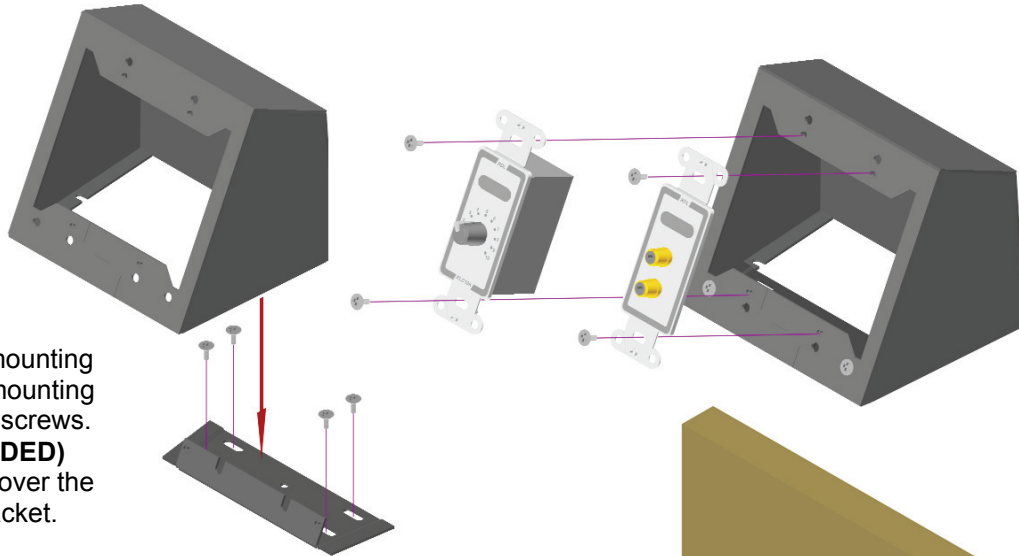
EN55103-1 E1-E5; EN55103-2 E1-E4

Typical Performance reflects product at publication time exclusive of EMC data, if any, supplied with product. Specifications are subject to change without notice.

### Step 1

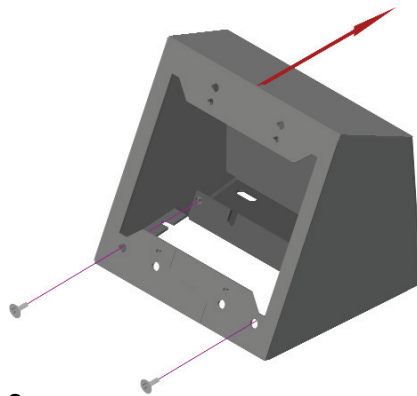
Attach the DC mounting bracket to the mounting surface using 4 screws. (NOT INCLUDED)

Set the chassis over the mounting bracket.



### Step 2

Slide the chassis over the mounting bracket and secure with the two screws.



The DC can also be mounted to a vertical surface.

