

### Overview:

The 3G-SDI to HDMI Converter (500717) allows SDI equipment to be connected to an HDMI Display. The 3G-SDI to HDMI Converter converts the SDI signal back to HDMI, supporting resolutions of 480i (SD-SDI), 720p/1080i (HD-SDI) and 1080p (3G-SDI). The 3G-SDI to HDMI Converter provides a low jitter and re-clocked outputs allowing for unit daisy chain.



### Applications:

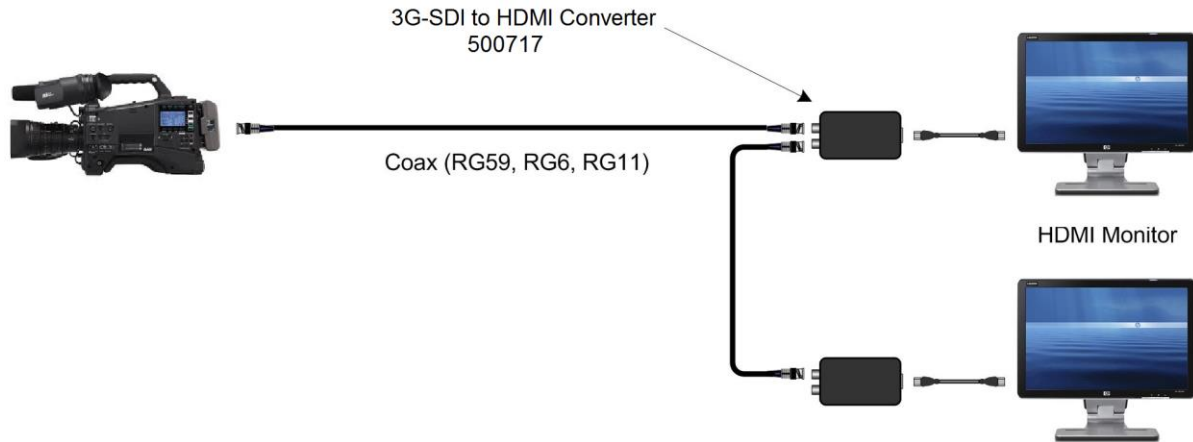
- Video production & Broadcasting
- Studio-to-studio & Post production
- Outside broadcasting vehicle
- Mobile video & Live Events
- SDI camcorder
- Medical imaging display

### Key Features:

- Auto 3G/HD/SD-SDI detection & conversion
- View SDI source video on a lower cost HDMI display
- Supports up to 1080p
- 3G-SDI up to 300ft (90m) via RG59 coax
- Low jitter & re-clocked output
- Supports daisy chain
- Wall mountable
- LED diagnostics

Specifications	
<b>Environment</b>	HDMI 1.3a, 3G-SDI, HD-SDI & SD-SDI.
<b>Devices</b>	Camera, plasma, projectors, monitors, TV.
<b>Transmission</b>	Transparent to the user.
<b>Detection</b>	Auto Detection of the 3G/HD/SD-SDI Signal.
<b>Bandwidth</b>	2.97Gbps & 2.975/1.001Gbps
<b>Signals</b>	HDMI 1.3a & SDI protocol.
<b>Supported Resolution</b>	3G-SDI: 1080p50/59.94/60Hz (4:2:2) HD-SDI: 1080p/23.98/24/25/29.97/30Hz 720p/50/59.94/60Hz 1080i/50/59.94/60Hz SD-SDI: NTSC (59.94Hz), PAL (50Hz)
<b>Audio</b>	Up to 8 Audio Channels.
<b>Input Signal</b>	3G-SDI: SMPTE-424M HD-SDI: SMPTE 292M, 296M SD-SDI : SMPTE 259M
<b>Connectors</b>	Two (2) BNC Female 75 Ohms, Gold Plated. One (1) HDMI Type A receptacle. <i>Note: HDMI and RG59 coaxial cables not included.</i>
<b>Cable Equalization</b>	3G-SDI up to 300ft (90m) HD-SDI up to 500ft (150m) SD-SDI up to 1000ft (300m)
<b>Cable</b>	One (1) RG-59 or better cable required.
<b>Power Supply</b>	One (1) 110-240V/5VDC power supply with interchangeable blades.
<b>Power Consumption</b>	3.0Watt (Max)
<b>Temperature</b>	Operating: 0° to 40°C      Storage: -20° to 60°C Humidity: Up to 90% non-condensing
<b>Enclosure</b>	Metal
<b>Dimensions</b>	3.1" x 3.3" x 1.2" (79mm x 84mm x 27mm)
<b>Weight</b>	1.7lbs (0.78kg)
<b>Compliance</b>	Regulatory: FCC, CE, RoHS      Flammability: 94V0
<b>Warranty</b>	2 years
<b>Order Information</b>	500717      3G-SDI to HDMI Converter (UPC: 627699007174)

## Typical Application



### MuxLab Inc.

8495 Dalton Road, Mount Royal, Quebec, Canada, H4T 1V5  
Tel: (514) 905 0588 Fax: (514) 905 0589  
Toll Free: 1 877 689-5228  
E-mail: [videoease@muxlab.com](mailto:videoease@muxlab.com)  
[www.muxlab.com](http://www.muxlab.com)

