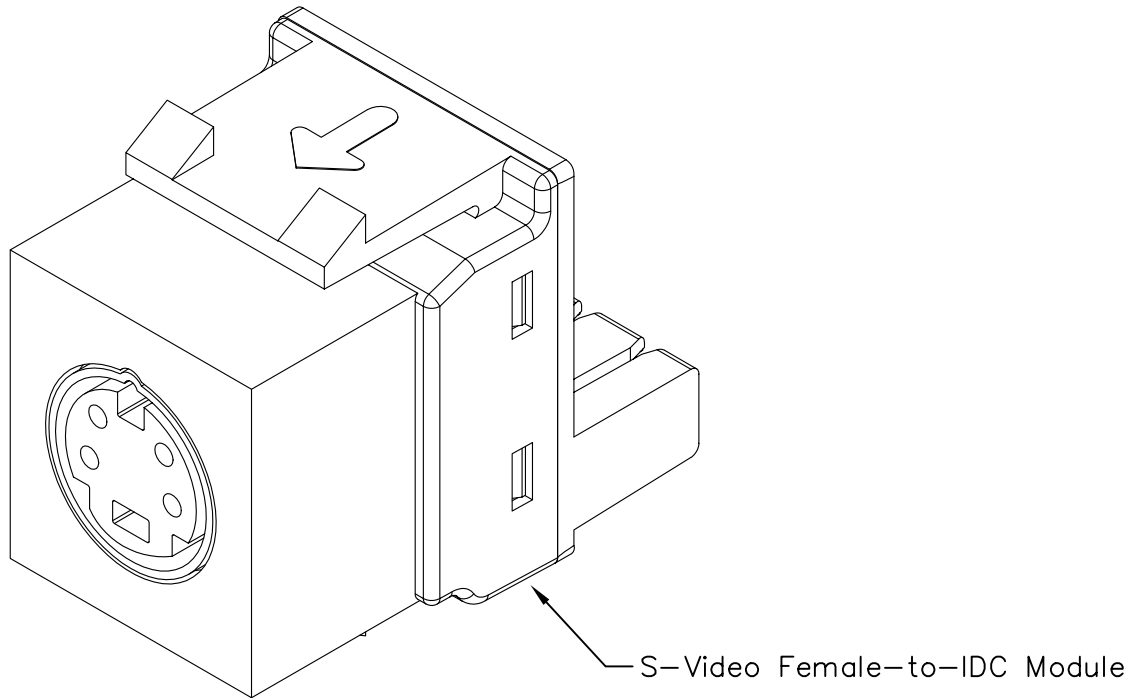


S-Video Female-to-IDC Module

PRODUCT SPECIFICATION

Package includes:

- A. S-Video Female-to-IDC Module, 1 pc
- B. Installation Instructions, 1 sheet



Features and Benefits:

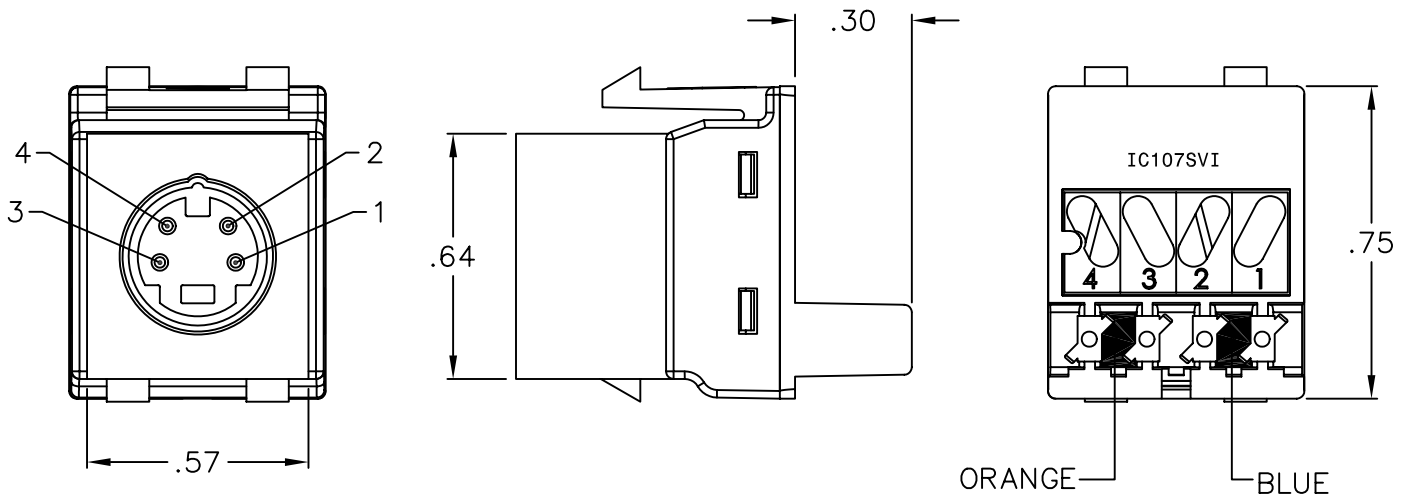
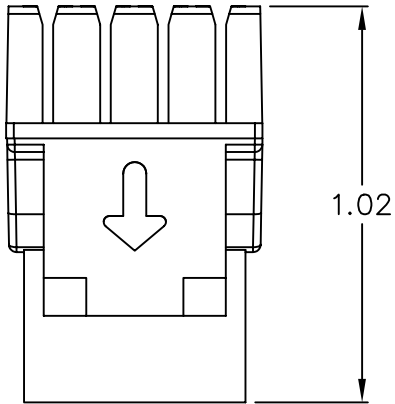
- S-VHS video for maximum signal transfer quality
- Designed for twisted pairs using the popular and easy 110 IDC termination, eliminating the need for soldering on the rear side
- Designed to use with S-Video cables
- Provides a clean and neat appearance installation
- Compatible with all IC107 faceplates, inserts, surface mount boxes, and blank patch panels
- Compatible with all IC108 furniture faceplates, bezels, and surface mount boxes
- Used with ICC 110 punch down tool ICACSPDT00
- Housing color available in almond, black, ivory, and white
- Installation instructions #MSR-0306 included

MODULE, S-VIDEO IDC

ITEM NO.	IC107SVIXX	REV.	B
DWG NO.	PS107SVI00	PAGE NO.	1



CUSTOMER CARE / TECHNICAL SUPPORT * CSR@ICC.COM / 888-ASK-4-ICC (275-4422) * 14700 Alondra Blvd., La Mirada, CA 90638 * www.icc.com



NOTE: UNLESS OTHERWISE SPECIFIED

1. HOUSING:

- A. MATERIAL: ABS, UL 94V-0
- B. COLOR: XX: AL-ALMOND, BK-BLACK, IV-IVORY, & WH-WHITE

2. CONNECTOR:

- A. BODY: BRASS WITH NICKEL PLATING
- B. INSULATION: PP
- C. CONTACT: BRASS WITH NICKEL PLATING

3. ELECTRICAL:

- A. CONTACT RESISTANCE: 30M OHM MAX.
- B. INSULATION RESISTANCE: 100M OHM MIN @ 500V DC
- C. DIELECTRIC STRENGTH: 500 VOLTS FOR ONE MINUTE



Rhox Áudio e Vídeo Profissional - SIBS Quadra
 2 conjunto C Lote 12 Brasília - DF - 71736.203 -
 Tel (61) 3051-5800
<https://loja.rhox.com.br>

MODULE, S-VIDEO IDC

ITEM NO.	IC107SVIXX	REV.	B
DWG NO.	PS107SVI00	PAGE NO.	2



CUSTOMER CARE / TECHNICAL SUPPORT * CSR@ICC.COM / 888-ASK-4-ICC (275-4422) * 14700 Alondra Blvd., La Mirada, CA 90638 * www.icc.com