



# VENTIS 115 mA

## Processed Active Monitor

### APPLICATIONS

- Live sound reinforcement floor monitor
- Touring systems
- Clubs, Auditoriums, theatres
- House of worship
- DJ booth monitor
- Medium band P.A.
- Sidefill monitor for small-to medium-scale applications

### KEY FEATURES

- 2-way bi-amplified bass-reflex design
- 15" coaxial custom woofer
- 1" exit throat B&C
- 700W + 200W RMS built-in Class D power amplifier
- 90° conical dispersion
- DSP with 6 factory presets
- 0,59" birch plywood enclosure
- Wall bracket mount thread (optional)
- 1,38" top-hat
- Two integrated handles



### PRODUCT DESCRIPTION

The FBT VENTIS 115MA bi-amplified speaker features 0,59" birch plywood construction covered in a scratch & scuff resistant black finish. The FBT VENTIS 115MA is a two-way design incorporating a 15" coaxial custom woofer with 2,5" voice coil and 1" exit throat B&C with 1,7" voice coil. With a frequency range of 50Hz - 20kHz provides hi fidelity sound for both speech and music applications with a maximum SPL of 132dB. The bi-amplified FBT VENTIS 115MA features 700W RMS low frequency amp and 200W RMS high frequency amp. DSP on board is both user friendly and powerful; a total of 6 pre-optimised settings are available, plus 2 further slots for users to form their own design, using 5 parametric equalizers per slot. Control panel features balanced XLR/Jack input, XLR link out, 2 x volume, RCA stereo input, DSP display with rotative encoder and push. The optional mounting bracket allows the FBT VENTIS 115MA speaker to be surface mounted on wall or ceilings. Thanks to the integrated steel pole mount, the FBT VENTIS 115MA can be turned into a standard speaker in vertical configuration with a few simple moves.

### ELECTRICAL SPECIFICATIONS

System Type	2 Way
Internal amplifiers* max. LF/HF	700/200W RMS
max. peak LF/HF	1400/400W
Frequency Response	50Hz - 20kHz
Maximum SPL cont/peak**	127dB / 132dB
Dispersion	90° conical
Input impedance	22kOhm
AC power requirement	640VA

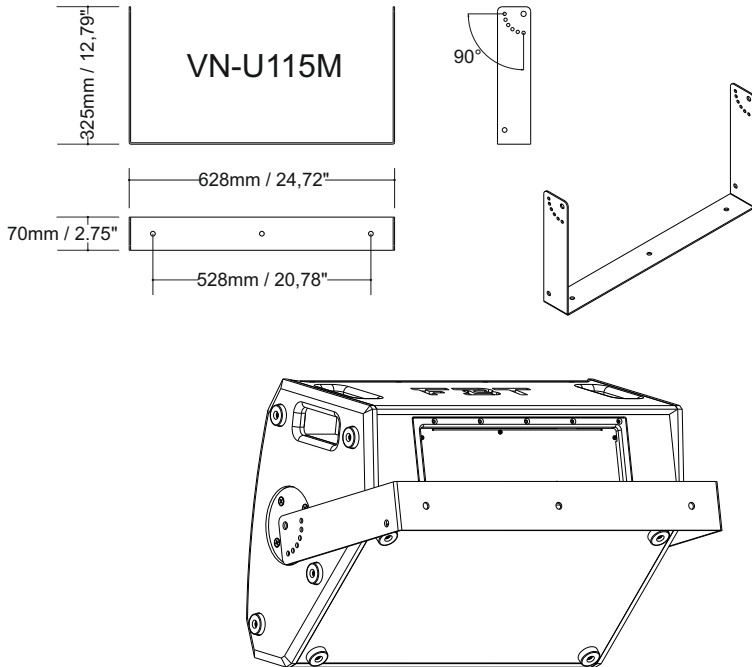
### PHYSICAL SPECIFICATIONS

Low Frequency Woofer	12" / 2.5" coil
High Frequency Driver	1" / 1,7" coil
Input Connectors	XLR with loop, RCA stereo
Net Dimensions (WxHxD) inch	24,40 x 13,46 x 20,33
mm	620 x 342 x 516,5
Transport dimensions(WxHxD) inch	26,96 x 15,90 x 20,94
mm	685 x 404 x 532
Net Weight	46,95lb / 21,3kg
Transport weight	51,36lb / 23,3kg
Enclosure Material	0.59" birch plywood
Power supply cable	16,40ft / 5mt

\* Max.: 2mS burst, RMS power on nominal speaker impedance  
Max. peak: based on max peak output voltage and nominal speaker impedance

\*\* Cont. SPL: free space, based on power amp rating and LF transducer average sensitivity data, 125mS time average  
Peak SPL: free space, based on max. peak power amp rating and system peak sensitivity, 10mS time average

## ACCESSORIES

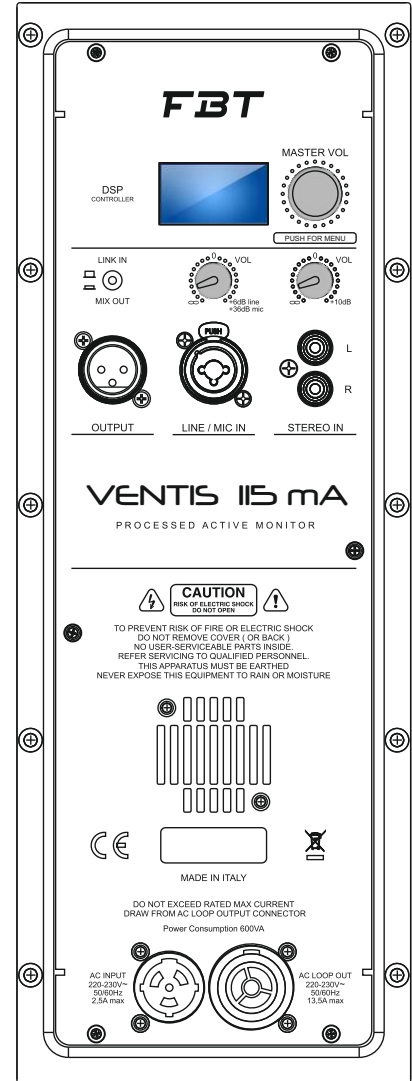


**Caution.**

This FBT loudspeaker should be suspended overhead only in accordance with the procedures and limitations specified in the user's manual. This system should be suspended in compliance with local and state overhead suspension ordinances. The VENTIS speakers use only with FBT mount for wall installation.

**VN-C115M Nylon cover**

## CONTROL PANEL



## DIMENSIONAL DRAWINGS

