



DRZH

User Guide

English (3–8)

Appendix

English (34)

User Guide (English)

Introduction

Thank you for purchasing the DRZH. At Rane, performance and reliability mean as much to us as they do to you. That's why we design our equipment with only one thing in mind—to make your performance the best it can be.

Box Contents

DRZH

Mounting Screws

User Guide

Safety & Warranty Manual

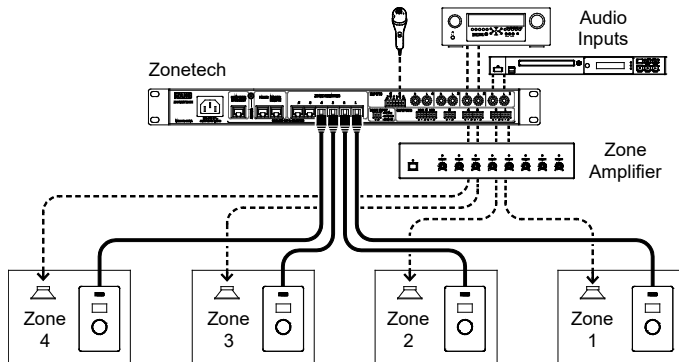
Support

For the latest information about this product (documentation, technical specifications, system requirements, compatibility information, etc.) and product registration, visit rane.com.

For additional product support, visit rane.com/support.

Setup

Items not listed under [Introduction > Box Contents](#) are sold separately.



Note: Use a shielded Ethernet cable (Cat5e or Cat6) to connect the **RJ45 port** on the rear panel to the main audio processing unit (e.g., a Rane Zonetech, HAL3s, or Terminal 1010x).

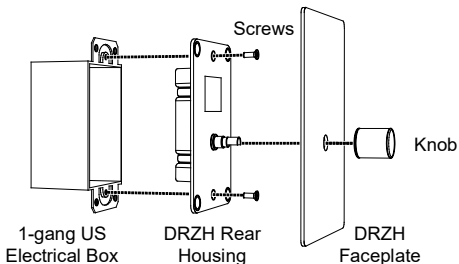
Installation

DRZH can be mounted in a standard 1-gang US electrical box:

1. Run a shielded Ethernet cable (Cat5e or Cat6) from the audio processing unit to the electrical box, and then connect it to the **RJ45 port** on DRZH's rear panel. DRZH can be located up to 300 meters (984 feet) from the processing unit.
2. Use the included screws to secure the DRZH rear housing to the electrical box and wall.

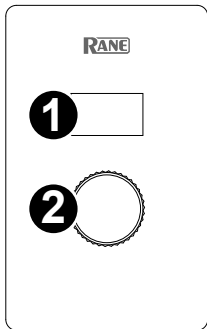
Note: A minimum 1/4" diameter by 1" depth (6.35 x 25.4 mm) pilot hole is required for the included wall anchors.

3. Make sure the **knob** has been removed, then place the faceplate over the DRZH housing and reattach the knob.

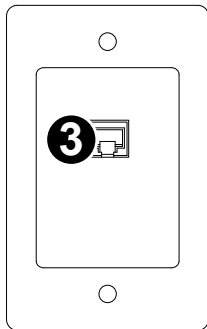


Features

Front
Panel



Rear
Panel



1. **Display:** This screen shows the setting that the knob on DRZH is currently adjusting. Push the knob to select the next setting.
2. **Knob:** Turn this knob to adjust the setting currently shown in the display. Push the knob to select the next setting.
3. **RJ-45 Port:** Use a shielded Ethernet cable (Cat5e or Cat6) to connect this port to the main audio processing unit (e.g., a Rane Zonetech, HAL3s, or Terminal 1010x).

Operation

By default, the display on DRZH will show the volume setting for the current room (zone): **Volume**.

To adjust the volume, turn the **knob**.

You can access and adjust other settings, as well, depending on the system DRZH is connected to.

To select another setting, push the **knob**. The current setting will be shown in the **display**.

The adjust the current setting, turn the **knob**.

Troubleshooting

If you encounter a problem, try doing these things first:

- Make sure all cables and other connected devices are properly and securely connected.
- Make sure you are using DRZH as described in this user guide.
- Make sure your other devices or media are working properly.
- If you believe DRZH is not working properly, check the following for your problem and solution.

Problem: Power does not turn on.

Solution: Make sure DRZH's **RJ45 port** is properly connected to and located within 300 meters (984 feet) from your audio processing unit.

Please see: [Setup](#)

Appendix (English)

Technical Specifications

Display	1.1" x 0.6" / 26.7 x 15.5 mm (width x height) 1.2" / 30.9 mm (diagonal) 128 x 64 pixel resolution Monochrome, white on black
Connectors	(1) Ethernet/RJ45 port
Power	Connection: Ethernet/RJ45 port Voltage: 24 V Consumption: 1.2 W
Dimensions (width x depth x height)	3.0" x 2.0" x 4.7" 75 x 50 x 120 mm
Weight	0.3 lb. 150 g

Specifications are subject to change without notice.

Trademarks & Licenses



Rane is a trademark of inMusic Brands, Inc., registered in the U.S. and other countries. All other product names, company names, trademarks, or trade names are those of their respective owners.

rane.com

Manual Version 1.0