

Blackmagic Studio Camera



The Blackmagic Studio Camera is the world's most advanced broadcast camera for live production! You get a massive 10 inch viewfinder, MFT lens mount, talkback, tally indicators, phantom powered microphone connections, 3G-SDI and user upgradeable optical fiber connections that let you connect to your switcher with a single cable! Its incredibly tough, lightweight magnesium alloy body is packed with all the built in features you need for multi camera production and broadcast.

Camera Features

Effective Sensor Size

12.48mm x 7.02mm

Focus

Auto focus. Peaking mode.

Lens Mount

Active MFT Mount

Lens Control

Iris, focus, zoom on supported lenses.

Dynamic Range

13 Stops.

Screen Dimensions

10.1 inch 1920 x 1200

Screen Type

10.1 inch TFT-LCD

Controls

Push button controls for navigating menus.

Mounting Options

2 x 3/8 inch tripod mount. 4 x 1/4 inch 20 UNC thread mounting points on top of camera, 3 x 1/4 inch 20 UNC thread mounting points left on right of camera

Connections

Total Video Inputs

1 x SDI

Total Video Outputs

1 x SDI

SDI Rates

1.5G, 3G.

Optical SDI

Supports optional SMPTE optical module.

Optical Fiber Inputs/Outputs

3G Optical Fiber Input and Output. Optical fiber SFP module sold separately.

Analog Audio Inputs

2 x XLR analog switchable between mic and line levels. Phantom power support.

Analog Audio Outputs

Aviation headphone (Fixed Wing Plugs) output for talkback and audio monitoring.

Reference Inputs

Tri-Sync or Black Burst.

SDI Audio Outputs

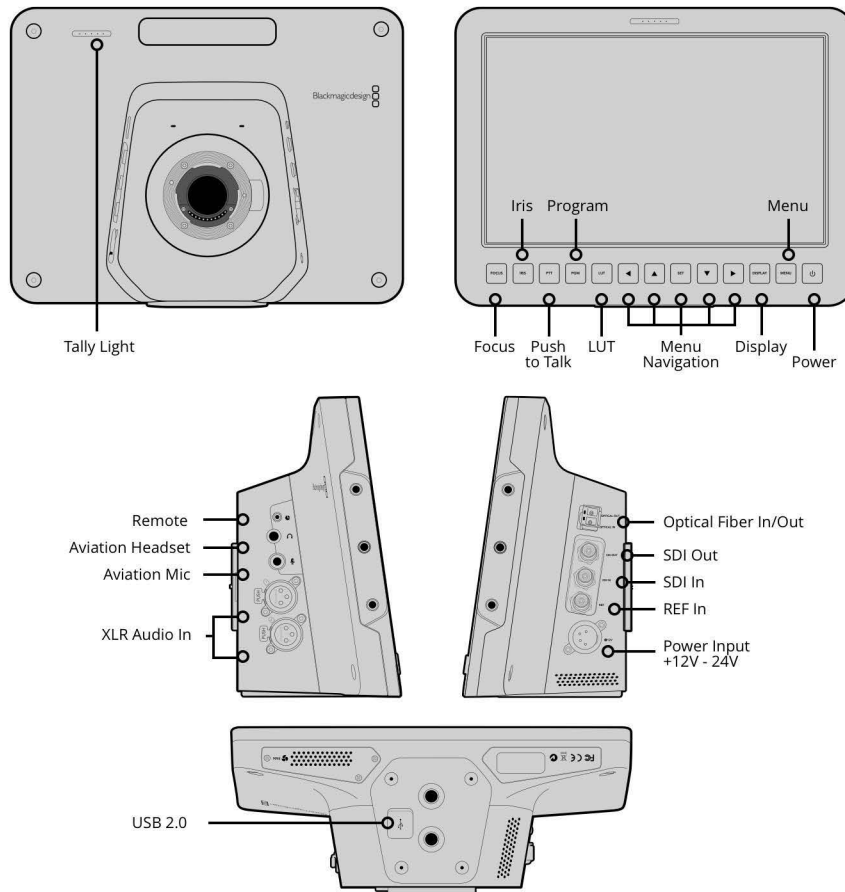
2 channels in 3G-SDI 48Khz and 24 bit. 2 channels for talkback on channel 15 - 16.

Remote Control

1 x 2.5mm LANC for Iris Control and Focus. SDI CCU control from ATEM.

Computer Interface

USB 2.0 Mini-B port for software updates.



Audio**Microphone**

Integrated stereo microphone.

Built in Speaker

None.

Standards**SD Video Standards**

None.

HD Video Standards

720p50, 720p59.94, 720p60, 1080p23.98, 1080p24, 1080p25, 1080p29.97, 1080p30, 1080p50, 1080p59.94, 1080p60, 1080i50, 1080i59.94, and 1080i60

Ultra HD Video Standards

None.

SDI Compliance

SMPTE 292M. SMPTE 424M Level B

SDI Audio Sampling

48 kHz and 24-bit

Media

Media

None.

Media Format

None.

Supported Codecs

Codecs

None.

Control

External Control

Blackmagic SDI Control Protocol.
2.5mm LANC connection for lens control.

Color Corrector

DaVinci YRGB

Talkback and Tally

Live Tally Indicator

1 x for talent, 1 x for operator.

Talkback

SDI Channels 15 and 16.

Software

Software Included

Blackmagic Camera Setup for Mac and Windows.

Operating Systems



Mac 10.11 El Capitan,
Mac 10.12 Sierra or later.



Windows 8.1 or Windows 10.

Power Requirements

1 x External 12V power supply

Optional Accessories

SMPTE compatible SFP
Optical Module
Blackmagic Studio Camera

Physical Specifications



Environmental Specifications

Operating Temperature

0° to 40° C (32° to 104° F)

Storage Temperature

-20° to 45° C (-4° to 113° F)

Relative Humidity

0% to 90% non-condensing

What's Included

Blackmagic Studio Camera

Sun Shield and attaching screws

Turret Dust Cap

12V AC Adapter

SD card with software and manual

Warranty

12 Month Limited Manufacturer's Warranty.

All items on this website are copyright Blackmagic Design Pty. Ltd. 2019, all rights reserved.

All trademarks are property of their respective owners. MSRP includes duties, but excludes sales tax and shipping costs.

This website uses remarketing services to advertise on third party websites to previous visitors to our site.

You can opt out at any time by changing cookie settings. [Privacy Policy](#)

Blackmagic Design Authorized Reseller



(61) 3051-5800

<https://loja.rhox.com.br>