

MPM-1000

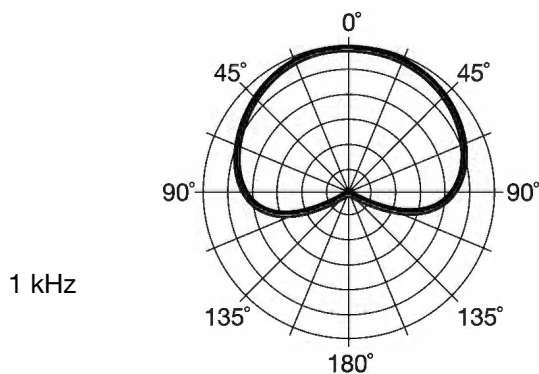
Large-Diaphragm Condenser Microphone

Conteúdo da caixa



Especificações técnicas

Type	Pure-aluminum-plated, 18mm-diameter-diaphragm capsule condenser microphone
Polar Pattern	Cardioid
Frequency Response	20–20000 Hz
Sensitivity	-38 dB \pm 2 dB (0 dB = 1 V/Pa @ 1 kHz)
Impedance	Output: 200 Ω \pm 30% (@ 1 kHz) Load: \geq 1000 Ω
Self-Noise	17 dBA
Maximum SPL	136 dB (THD α 1%, 1 kHz)
Signal-to-Noise Ratio	77 dB
Power	Requirement: 9–48VDC phantom power Current: 3 mA
Dimensions (length x diameter)	6.5" x 1.90" / 165 x 48 mm
Weight	0.66 lbs. / 0.30 kg



Resposta em frequência

